

WE ARE GLASS PEOPLE

HEYE

# SERVO GOB DISTRIBUTOR

Type 2171



# HEYE SERVO GOB DISTRIBUTOR

The Heye Servo Gob Distributor is applicable for IS-Machines with up to 12 sections.

An operation with single-, double- and triple gob for up to 12 sections is possible by simply exchanging the gob distributor head.

## Technology

The maximum swivel range of the scoops is 140°.

At a motion time of 130 ms a pivoting angle of 70° is possible.

The scoops are water-cooled.

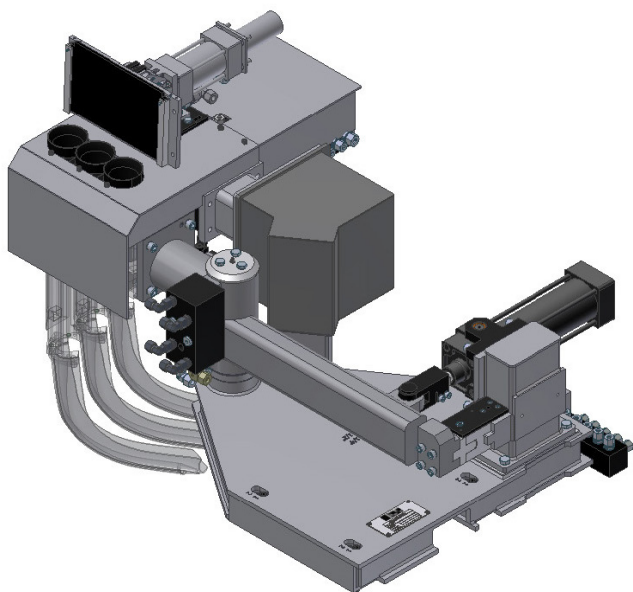
The oil circulation lubrication for the distributor head contains an integrated cooling in the recirculation.

The servo motor drives a nearly backlash-free set of worm wheels.

By a toothed wheel directly flanged to the worm wheel the swivel motion is transferred to the toothed sleeves via intermediate wheels.

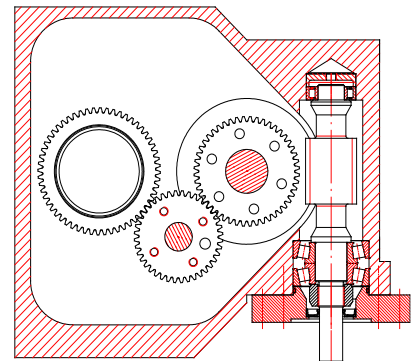
Each intermediate wheel consists of two equally thick toothed wheels which can be twisted against each other by means of an eccentric shaft to minimise the backlash.

A gob interceptor is part of the delivery. In case of a power failure a pneumatic scoop aligning mechanism ensures that the scoops are turned to an uncritical area (before the gob distributor moves out of the glass stream).

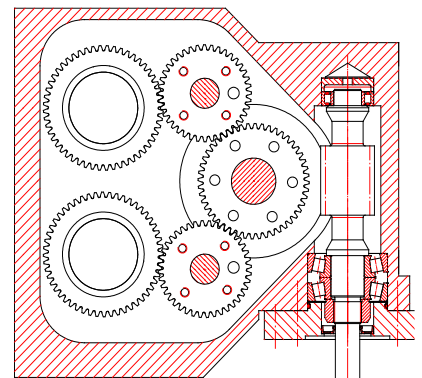


## Different gob distributor head types

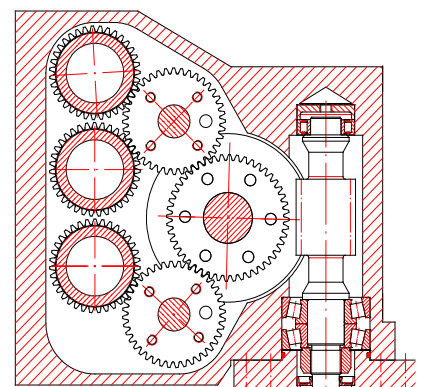
### Single gob



### Double gob



### Triple gob



## CONTROL UNIT

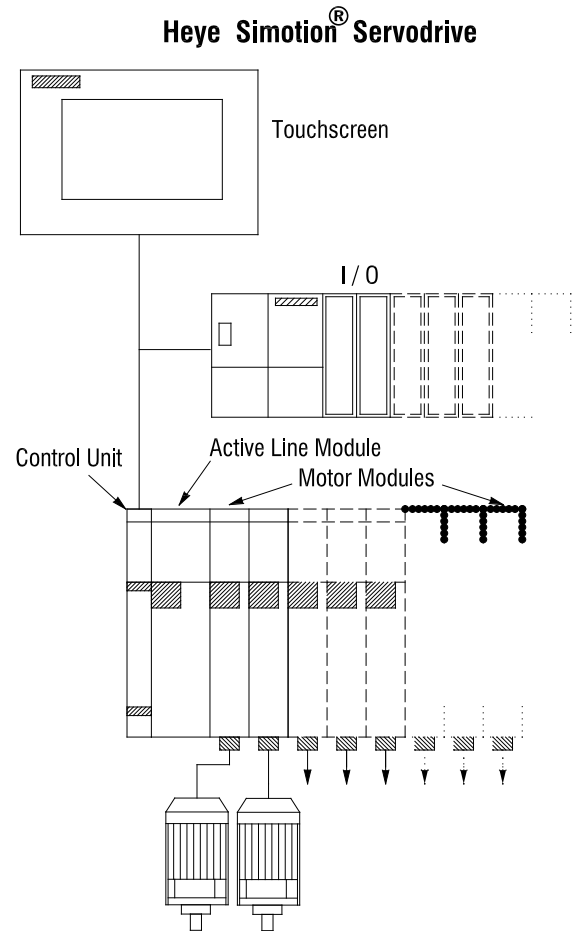
To control the servo motor the Heye Simotion® Servodrive is used. Also please see product description

“Heye Simotion® Servodrive”

### Heye Simotion® Servodrive

This highly-flexible control is based on the future-proof multi axis drive System Simotion® of Siemens. Excellent reliability of the electronic components in combination with the application of a compact servo motor with robust resolver guarantee a reliable non-stop operation. Even with respect to servicing this control is perfect as it is easy to handle. If control components should have to be exchanged complicated manual addressing or programming is not necessary because the configuration data are stored on a memory board. When the control is started the data are automatically transferred. Hence, the commissioning times and downtimes in case of servicing are short, the training effort for the service staff is less. Fault and operating messages that appeared are registered by the control unit with date and time and can be read in detail on the touchscreen anytime.

Synchronisation of the Gob Distributor to the system pulse of the IS-Machine is automatically carried out by the control unit. Phase adjustment to the gob is eased by means of an optical sensor. A control box near the feeder serves to select the operational modes.



# OVERVIEW

## Advantages

- High number of cycles
- Precise run
- Longlife
- Also for triple gob (TG)

## Scope of Delivery

- Gob Distributor
- Control cabinet with connection cables
- Control box (local operation)
- Gob interceptor

	CD	Opening
SG	-	76 mm (3")
DG	5"	76 mm (3")
DG	5"	62 mm (2.44")
DG	4.375"	62 mm (2.44")
TG	3"	47 mm (1.85")
TG	4.375"	62 mm (2.44")

## Technical Data

- Production speed max. 250 cuts/min
- Dimensions (without scoops)  
width/height/depth 850 / 600 / 1300 mm
- Weight of the unit approx. 350 kg
- Ambient temperature for the control unit max. 35°C

## Emissions

- The A-weighted permanent sound pressure level of this system is below 70 dB(A)

## Compatible control units\*

### Heye Simotion® Servodrive

Up to 10 servo axes can be operated (depending on combination of drives and cabinet width)

- Dimensions  
width/height/depth 800 / 2200 / 600 mm  
1000 / 2200 / 600 mm  
1200 / 2200 / 600 mm
- Weight 320 - 400 kg
- Power input with two active ventilators depending on the number of axes
- Mains supply three-phase 400 - 480 V ± 10% PE, no neutral wire
- Mains frequency 50/60 Hz ± 6%
- Mains fuse 35 A slow-blow (to be made available by the customer)
- Ambient temperature for the control unit max. 35°C

### Heye Simotion® Servodrive Compact

Up to 4 servo axes can be operated (depending on combination of drives)

- Dimensions  
width/height/depth 400 / 2200 / 600 mm
- Weight 170 kg
- Power input depending on the number of axes
- Mains supply three-phase 400 - 480 V ± 10% PE, no neutral wire
- Mains frequency 50/60 Hz ± 6%
- Mains fuse 35 A slow-blow (to be made available by the user)
- Ambient temperature for the control unit max. 35°C

\* For further information on the control unit and respective combination of drives please have a look at our separate brochure.