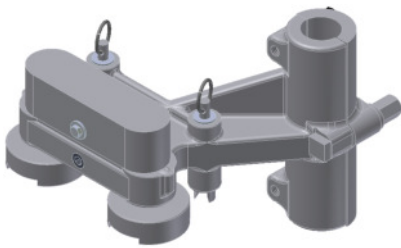


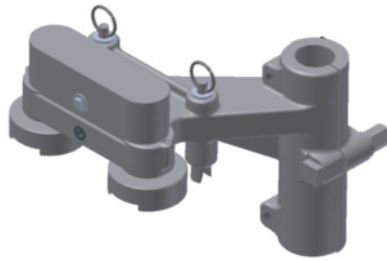
SECTION 8.

BAFFLE HOLDER

BAFFLE HOLDER - PISTON ROD



215F090100

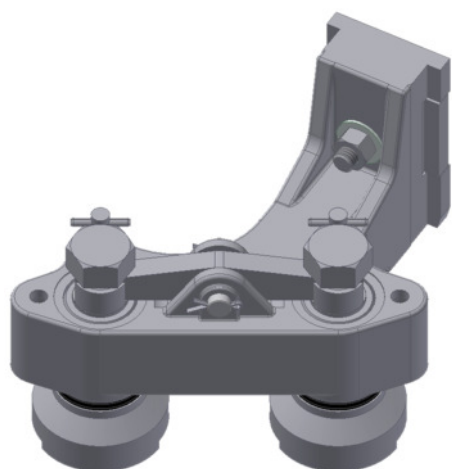


215F091100

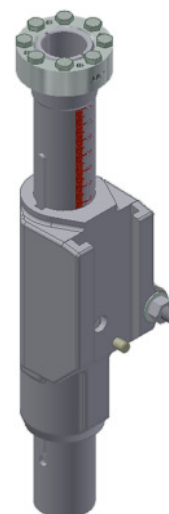


Hinge Type

Machine type	Limits (∅ mould – upperside baffle)	Piston Rod-∅	Part No.
4 ¼" DG		1 ½" - 38,1mm	2209143100
5" DG	min. 136,5mm (5,375") – max. 254mm (10")	1 ½" - 38,1mm	215F091100
	min. 76,9mm (3") – max. 204,5mm (8")		215F090100
85mm TG		1 ½" - 38,1mm	2209143000
4 ¼" DG	Hinge Type - 235mm	1 ½" - 38,1mm	212F091000
5" DG	Hinge Type - 235mm	1 ½" - 38,1mm	215F090800
5 ½" DG	Hinge Type - 235mm	1 ¾" - 44,45mm	214F091200
6 ¼" DG	Hinge Type - 235mm	1 ¾" - 44,45mm	213F090800

BAFFLE HOLDER - QUICK CHANGE

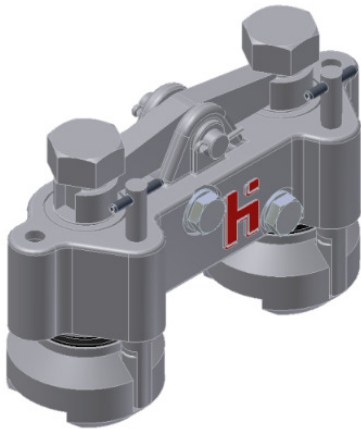
Baffle Holder QC



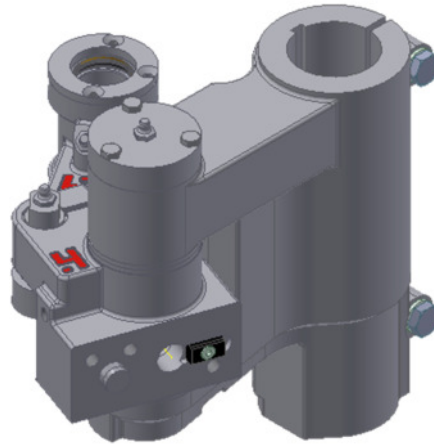
Mounting Kit

Machine type	Part No.	Mounting Kit
5" DG	215F095000	215F095100 for Ø 38,1
6 ¼" DG	213F090400	213F094100 for Ø 44,45

BAFFLE HOLDER FOR PANTOGRAPH ON 5"-MACHINE



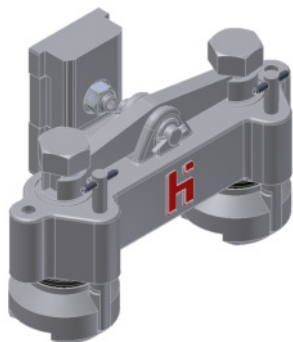
DG



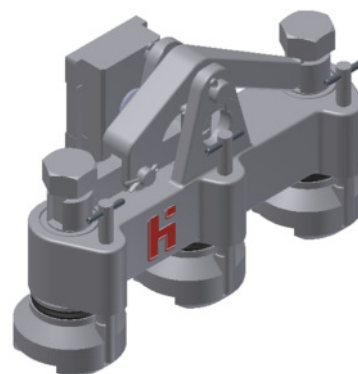
Pantograph Arm Assembly

Machine type	Part No.
5" DG	215F092200
Pantograph Arm Assembly	215F092300
Mounting Parts	215F092100
Guide Rod	215F092178

BAFFLE HOLDER FOR PANTOGRAPH ON 6 ¼"-MACHINE

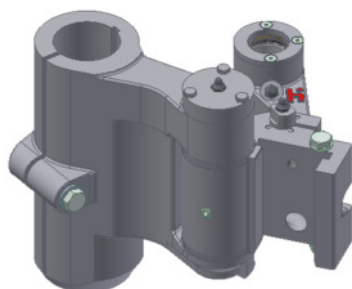
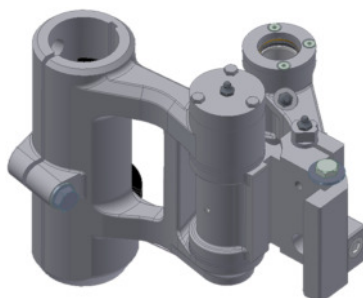
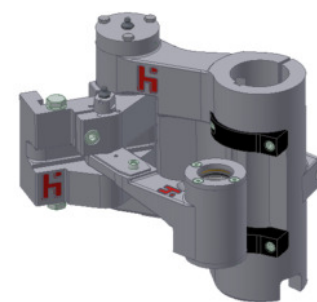


DG



TG

Machine type	Part No.
5 ½" SG	211F090300
6 ¼" SG	211F090200
5 ½" DG	214F091800
6 ¼" DG	213F093700
4 ¼" TG	213F093800
for small Moulds (lower Limits)	213F094300

Pantograph Arm Assembly
StandardPantograph Arm Assembly
Weight reducedPantograph Arm Assembly
for lower limits

Type	Part No.
Standard	213F093400
Weight reduced	213F094800
For lower Limits	21VN093400
Mounting Parts	2209141500
Guide Rod	2209141900