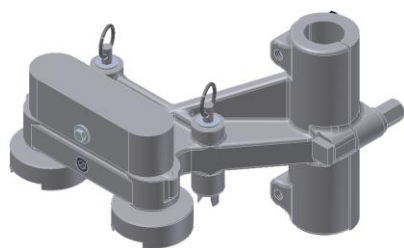


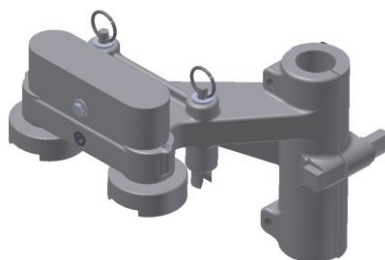
SECTION 8.

BAFFLE HOLDER

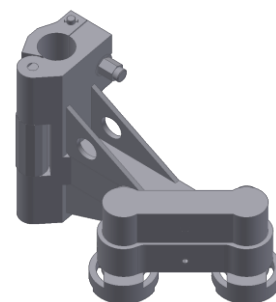
BAFFLE HOLDER - PISTON ROD



215F090100



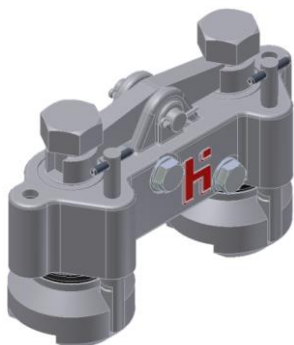
215F091100



Hinge Type

| Machine type | Limits (θ mould – upperside baffle) | Piston Rod- \emptyset | Part No. |
|--------------|---|-------------------------|------------|
| 5" DG | min. 136,5mm (5,375") – max. 254mm (10") | 1 ½" - 38,1mm | 215F091100 |
| | min. 76,9mm (3") – max. 204,5mm (8") | | 215F090100 |
| 4 ¼" DG | Hinge Type - 235mm | 1 ½" - 38,1mm | 212F091000 |
| 5" DG | Hinge Type - 235mm | 1 ½" - 38,1mm | 215F090800 |
| 5 ½" DG | Hinge Type - 235mm | 1 ¾" - 44,45mm | 214F091200 |
| 6 ¼" DG | Hinge Type - 235mm | 1 ¾" - 44,45mm | 213F090800 |

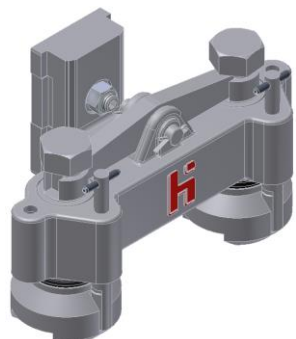
BAFFLE HOLDER FOR PANTOGRAPH ON 5"-MACHINE



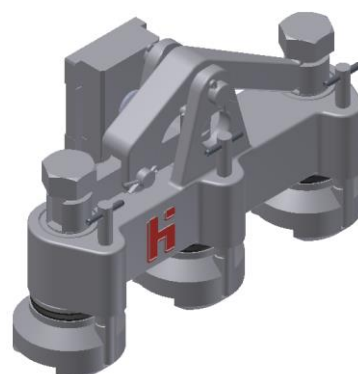
DG

| Machine type | Part No. |
|--------------|------------|
| 5" DG | 215F092200 |

BAFFLE HOLDER FOR PANTOGRAPH ON 6 ¼"-MACHINE



DG



TG

| Machine type | Part No. |
|------------------|------------|
| 5 ½" SG | 211F090300 |
| 6 ¼" SG | 211F090200 |
| 5 ½" DG | 214F091800 |
| 6 ¼" DG | 213F093700 |
| 4 ¼" TG | 213F093800 |
| for small Moulds | 213F094300 |