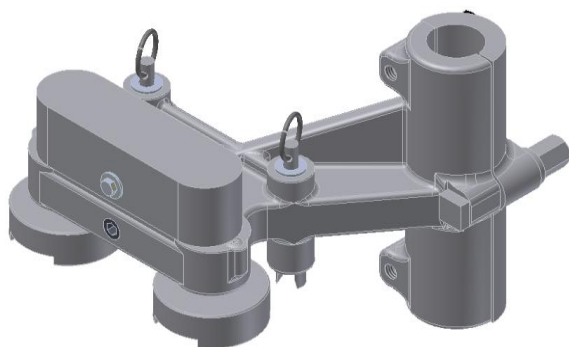


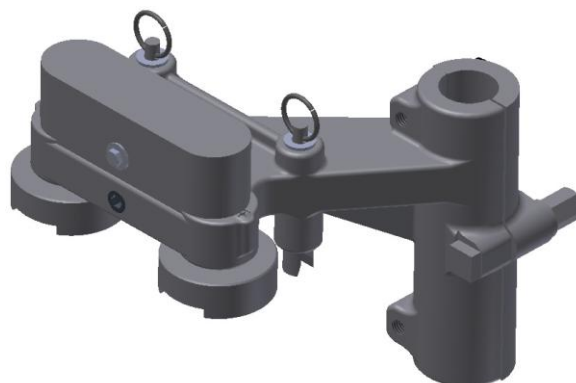
SECTION 8.

BAFFLE HOLDER

BAFFLE HOLDER - PISTON ROD



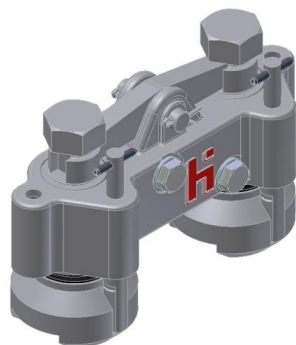
215F090100



215F091100

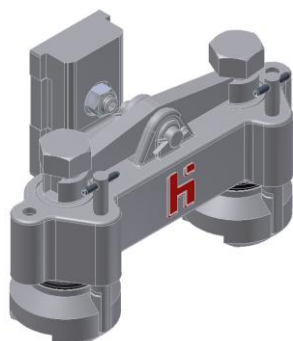
Machine type	Limits (Ømould – upperside baffle)	Piston Rod-Ø	Part No.
5" DG	min. 136,5mm (5,375") – max. 254mm (10")	1 ½" - 38,1mm	215F091100
	min. 76,9mm (3") – max. 204,5mm (8")		215F090100
4 ¼" DG Hinge Type	235mm	1 ½" - 38,1mm	212F091000
5" DG Hinge Type	235mm	1 ½" - 38,1mm	215F090800
5 ½" DG Hinge Type	235mm	1 ¾" - 44,45mm	214F091200
6 ¼" DG Hinge Type	235mm	1 ¾" - 44,45mm	213F090800

BAFFLE HOLDER FOR PANTOGRAPH ON 5"-MACHINE

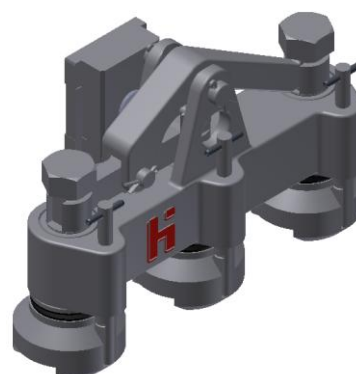


DG

Machine type	Part No.
5" DG	215F092900

BAFFLE HOLDER FOR PANTOGRAPH ON 6 ¼"-MACHINE

DG



TG

Machine type	Part No.
5 ½" SG	211F090300
6 ¼" SG	211F090200
5 ½" DG	214F091800
6 ¼" DG	213F093700
4 ¼" TG	213F093800