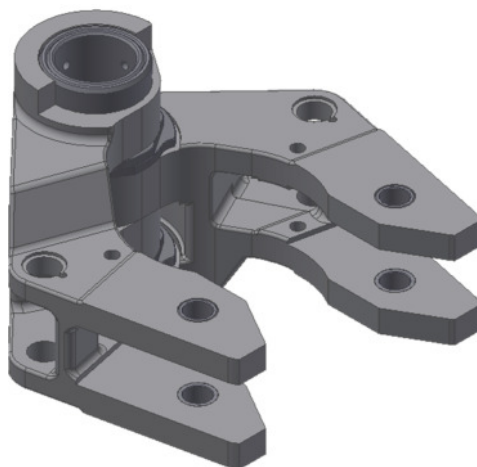


SECTION 5.

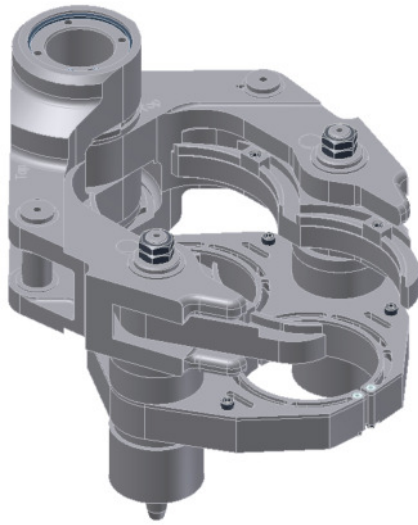
# **BLOW MOULD HOLDER**

**BLOW MOULD HOLDER – 4 1/4” CD DG**

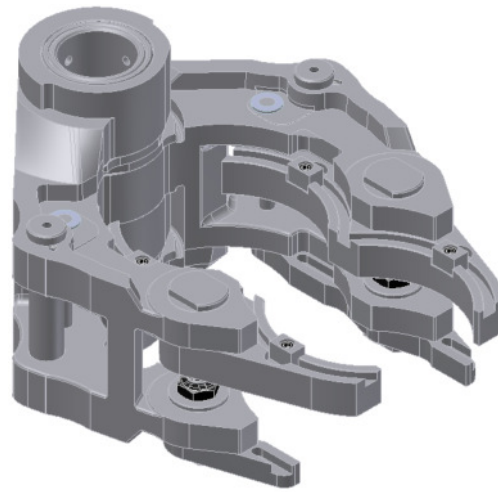
| Holder No. | Assembly Ident. No. | Dimensions |               |       |        |
|------------|---------------------|------------|---------------|-------|--------|
|            |                     | Ø ["]      | Insert Ø [mm] | H ["] | H [mm] |
| 212F206000 | 212F200060          |            |               |       |        |
|            | 212F200061          |            |               |       |        |

## BLOW MOULD HOLDER – 5" CD DG

### AXIAL & RADIAL MOULD COOLING

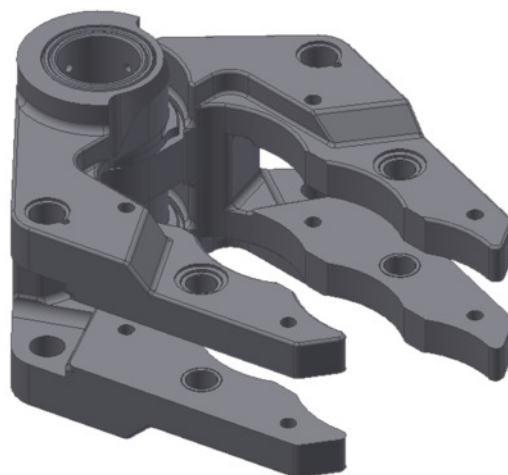


Axial



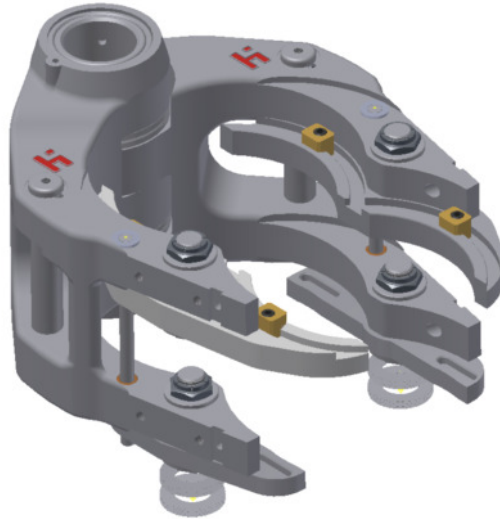
Radial

| Holder No. | Assembly Ident. No. | Cooling |        | Dimensions |               |         |        |
|------------|---------------------|---------|--------|------------|---------------|---------|--------|
|            |                     | Axial   | Radial | Ø ["]      | Insert Ø [mm] | H ["]   | H [mm] |
| 2101412800 | 2101412000          | x       |        | 5          | 129.9         | 3 5/32  | 80     |
|            | 2101412500          | x       |        | 5          | 129.9         | 2 13/64 | 56     |
|            | 2101410900          | x       |        | 5          | 134.9         | 3 5/32  | 80     |
|            | 2101411900          | x       |        | 5          | 134.9         | 2 13/64 | 56     |
|            | 2101412300          | x       |        | 5          | 134.9         | 6 3/64  | 153.75 |
|            | 2101412400          | x       |        | 5          | 134.9         | 4 51/64 | 122    |
| 215F206100 | 2101200012          |         | x      | 5          | 129.9         | 5/8     | 15.9   |
|            | 2101200013          |         | x      | 5          | 129.9         | 2       | 50.8   |
|            | 2101200014          |         | x      | 5          | 129.9         | 2       | 50.8   |
| 215F206200 | 2101200015          |         | x      | 5          | 129.9         | 2 5/8   | 66.7   |
| 215F206300 | 2101200016          |         | x      | 5          | 129.9         | 2 5/8   | 66.7   |

**BLOW MOULD HOLDER – 85MM CD TG**

| Holder No. | Assembly Ident. No. | Insert Ø [mm] | Dimensions |  |
|------------|---------------------|---------------|------------|--|
|            |                     |               | H [mm]     |  |
| 2220091000 | 2220090003          | 95            | 0          |  |
|            | 2220090004          | 95            | 30         |  |

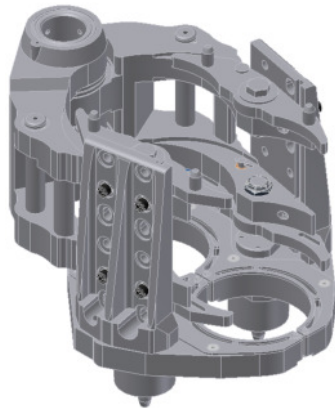
## BLOW MOULD HOLDER – 5 1/2" CD DG



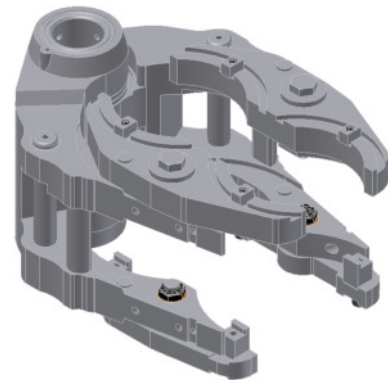
| Holder No. | Assembly Ident. No | Dimensions |               |       |        |
|------------|--------------------|------------|---------------|-------|--------|
|            |                    | Ø ["]      | Insert Ø [mm] | H ["] | H [mm] |
|            | 214F200009         | 5 3/8      | 136.7         | 3/8   | 9.5    |
|            | 214F200011         | 6          | 152.4         | 2 1/4 | 57.15  |
|            | 214F200063         | 6          | 152.4         | 3/8   | 9.5    |
|            | 214F200065         | 5 3/8      | 136.7         | 3/8   | 9.5    |
|            | 214F200066         | 5 3/8      | 136.7         | 3/8   | 9.5    |
|            | 214F200067         | 6          | 152.4         | 2 1/4 | 57.15  |
|            | 214F200050         | 6          | 152.4         | 3/8   | 9.5    |
|            | 214F200051         | 6          | 152.4         | 2 1/4 | 57.15  |
|            | 214F200052         | 6          | 152.4         | 2 1/4 | 57.15  |
| 214F200200 | 214F200053         | 6          | 152.4         | 3/8   | 9.5    |
|            | 214F200054         | 5 3/8      | 136.7         | 3/8   | 9.5    |
|            | 214F200055         | 5 3/8      | 136.7         | 2 1/4 | 57.15  |
|            | 214F200056         | 5 3/8      | 136.7         | 2 1/4 | 57.15  |
|            | 214F200057         | 5 3/8      | 136.7         | 3/8   | 9.5    |

## BLOW MOULD HOLDER – 6 ¼” CD DG

### AXIAL & RADIAL MOULD COOLING



Axial

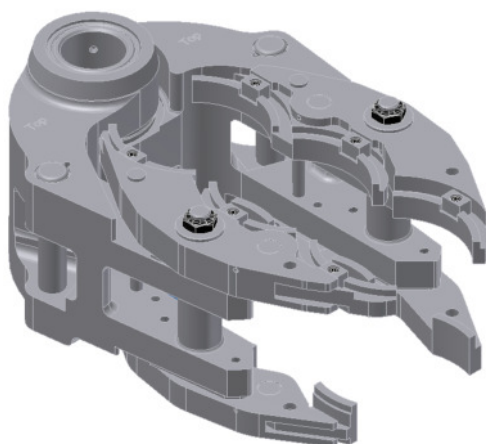


Radial

| Holder No. | Assembly Ident. No. | Cooling |        | Dimensions |               |         |        |
|------------|---------------------|---------|--------|------------|---------------|---------|--------|
|            |                     | Axial   | Radial | Ø [“]      | Insert Ø [mm] | H [“]   | H [mm] |
| 213F204300 | 213F200050          |         | x      | 5          | 130           | 2       | 50.8   |
|            | 213F200052          |         | x      | 5          | 130           | 5/8     | 15.85  |
|            | 213F200051          |         | x      | 5          | 130.2         | 2 5/8   | 66.7   |
|            | 213F200054          |         | x      | 6 ¼        | 159           | 2       | 50.8   |
|            | 213F200058          |         | x      | 6 ¼        | 159           | 2       | 50.8   |
|            | 213F200060          |         | x      | 6 ¼        | 159           | 1 7/32  | 30.8   |
|            | 213F200063          |         | x      | 6 ¼        | 159           | 1 7/32  | 30.8   |
|            | 213F200065          |         | x      | 5          | 130           | 2 5/8   | 66,7   |
| 2102413000 | 2102411200          | x       |        | 6 ¼        | 159           | 6 53/64 | 173.4  |
|            | 2102411300          | x       |        | 5          | 135           | 6 3/64  | 153.75 |
|            | 2102411500          | x       |        | 5          | 135           | 4 51/64 | 122    |
| 2241400200 | 213F200086          | x       |        | 5          | 130           | 2 19/64 | 58,23  |
|            | 213F200087          | x       |        | 5          | 130           | 1 3/64  | 26,48  |
|            | 213F200088          | x       |        | 6 ¼        | 159           | 1 7/32  | 30,8   |
|            | 213F200089          | x       |        | 6 ¼        | 159           | 1 7/32  | 30,8   |
| 213F206500 | 213F200066          |         | x      | 6 7/8      | 174,6         | 2 5/8   | 66,7   |
|            | 213F200084          |         | x      | 5 1/8      | 130           | 2 3/8   | 60,33  |
| 213F206700 | 213F200067          |         | x      | 6 7/8      | 174,6         | 1 1/8   | 28,6   |
|            | 213F200068          |         | x      | 6          | 152,4         | 1 1/8   | 28,6   |
|            | 213F200069          |         | x      | 6          | 152,4         | 5/8     | 15,9   |
|            | 213F200083          |         | x      | 5          | 130           | 5/8     | 15,9   |

## BLOW MOULD HOLDER – 4 1/4" CD TG

### VERTICAL & RADIAL MOULD COOLING



| Holder No.     | Assembly Ident. No. | Dimensions |               |         |        |
|----------------|---------------------|------------|---------------|---------|--------|
|                |                     | Ø ["]      | Insert Ø [mm] | H ["]   | H [mm] |
| 213F203400     | 213F203700          | 4 5/8      | 117.2         | 1 15/32 | 37.1   |
|                | 213F203700          | 4 5/8      | 117.2         | 2       | 50.8   |
|                | 213F203700          | 4 5/8      | 117.2         | 2 1/4   | 57.1   |
|                | 213F208700          | 4 5/8      | 117.2         | 2 5/8   | 66.7   |
|                | 213F208800          | 4 5/8      | 117.2         | 2 5/8   | 66.7   |
|                | 213F204100          | 4 5/8      | 117.2         | 41/64   | 16.2   |
| 213F203500     | 213F202200          | 4 5/8      | 117.2         | 1 15/32 | 37.1   |
|                | 213F202200          | 4 5/8      | 117.2         | 2       | 50.8   |
| 213F205700     | 213F207000          | 4 5/8      | 117.2         | 1 5/8   | 41.3   |
|                | 213F207100          | 4 5/8      | 117.2         | 1/8     | 3.2    |
|                | 213F208900          | 4 5/8      | 117,2         | 1 15/32 | 37,1   |
| 213F209200 *** | 213F209700          | 85,52      | 85,52         | 1/8     | 3,2    |
|                | 213F209800          | 98,2       | 98,2          | 1/8     | 3,2    |
| 2220081100     | 2220080002          | 4 5/8      | 117.2         | 1 15/32 | 37.1   |

\*\*\* For small Moulds