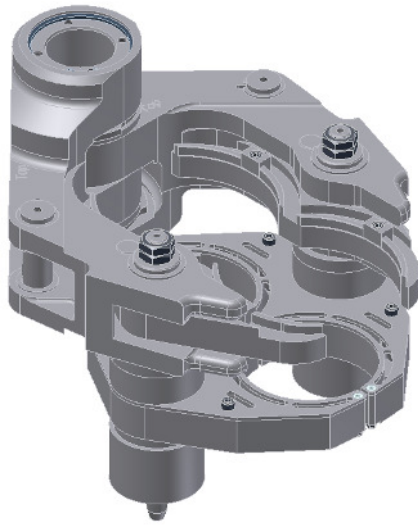


SECTION 5.

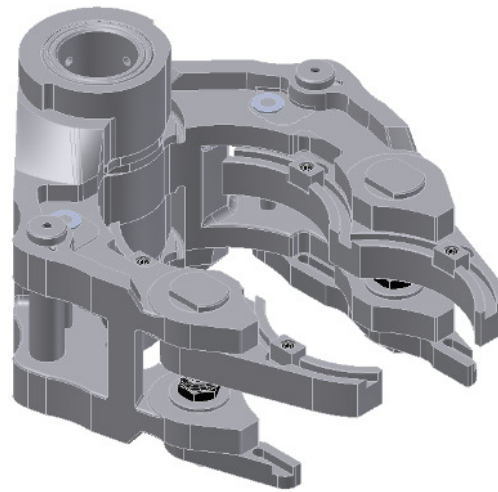
BLOW MOULD HOLDER

BLOW MOULD HOLDER – 5" CD DG

AXIAL & RADIAL MOULD COOLING



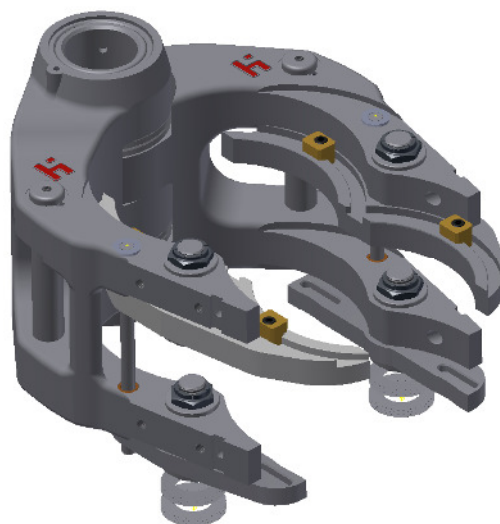
Axial



Radial

Holder No.	Assembly Ident. No.	Cooling		Dimensions			
		Axial	Radial	Ø ["]	Insert Ø [mm]	H ["]	H [mm]
2101412800	2101412000	x		5	129.9	3 5/32	80
	2101412500	x		5	129.9	2 13/64	56
	2101410900	x		5	134.9	3 5/32	80
	2101411900	x		5	134.9	2 13/64	56
	2101412300	x		5	134.9	6 3/64	153.75
	2101412400	x		5	134.9	4 51/64	122
215F206100	2101200012		x	5	129.9	5/8	15.9
	2101200013		x	5	129.9	2	50.8
	2101200014		x	5	129.9	2	50.8
215F206200	2101200015		x	5	129.9	2 5/8	66.7
215F206300	2101200016		x	5	129.9	2 5/8	66.7

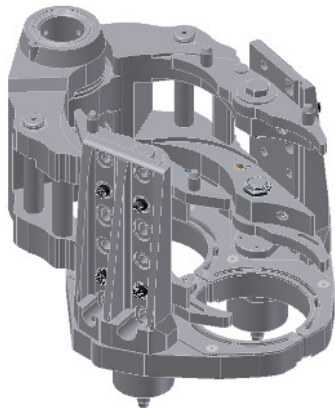
BLOW MOULD HOLDER – 5 1/2” CD DG



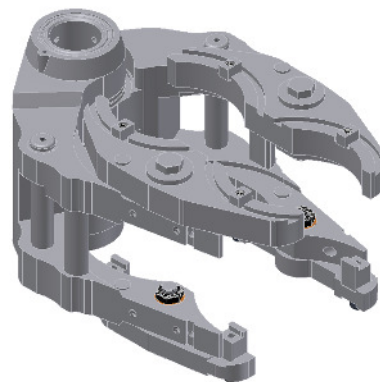
Holder No.	Assembly Ident. No	Dimensions			
		Ø ["]	Insert Ø [mm]	H ["]	H [mm]
	214F200009	5 3/8	136.7	1/8	9.5
	214F200011	6	152.4	2 1/4	57.15
	214F200063	6	152.4	1/8	9.5
	214F200065	5 3/8	136.7	1/8	9.5
	214F200066	5 3/8	136.7	1/8	9.5
	214F200067	6	152.4	2 1/4	57.15

BLOW MOULD HOLDER – 6 ¼” CD DG

AXIAL & RADIAL MOULD COOLING



Axial

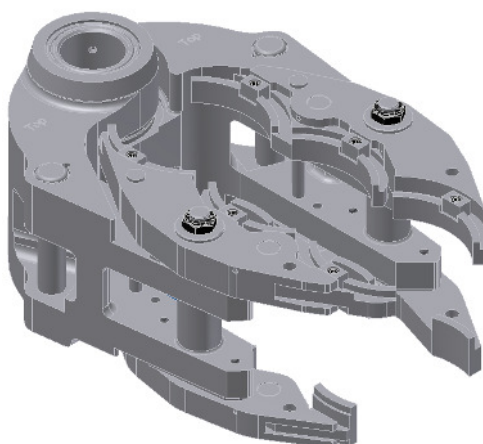


Radial

Holder No.	Assembly Ident. No.	Cooling		Dimensions			
		Axial	Radial	Ø [“]	Insert Ø [mm]	H [“]	H [mm]
213F204300	213F200050		x	5	130	2	50.8
	213F200052		x	5	130	5/8	15.85
	213F200051		x	5	130.2	2 5/8	66.7
	213F200054		x	6 ¼	159	2	50.8
	213F200058		x	6 ¼	159	2	50.8
	213F200060		x	6 ¼	159	1 7/32	30.8
	213F200063		x	6 ¼	159	1 7/32	30.8
	213F200065		x	5	130	2 5/8	66,7
2102413000	2102411200	x		6 ¼	159	6 53/64	173.4
	2102411300	x		5	135	6 3/64	153.75
	2102411500	x		5	135	4 51/64	122
2241400200	213F200086	x		5	130	2 19/64	58,23
	213F200087	x		5	130	1 3/64	26,48
	213F200088	x		6 ¼	159	1 7/32	30,8
	213F200089	x		6 ¼	159	1 7/32	30,8
213F206500	213F200066		x	6 7/8	174,6	2 5/8	66,7
	213F200084		x	5 1/8	130	2 3/8	60,33
213F206700	213F200067		x	6 7/8	174,6	1 1/8	28,6
	213F200068		x	6	152,4	1 1/8	28,6
	213F200069		x	6	152,4	5/8	15,9
	213F200083		x	5	130	5/8	15,9

BLOW MOULD HOLDER – 4 1/4" CD TG

VERTICAL & RADIAL MOULD COOLING



Holder No.	Assembly Ident. No.	Ø ["]	Dimensions		
			Insert Ø [mm]	H ["]	H [mm]
213F203400	213F203700	4 5/8	117.2	1 15/32	37.1
	213F203700	4 5/8	117.2	2	50.8
	213F203700	4 5/8	117.2	2 1/4	57.1
	213F208700	4 5/8	117.2	2 5/8	66.7
	213F208800	4 5/8	117.2	2 5/8	66.7
	213F204100	4 5/8	117.2	41/64	16.2
213F203500	213F202200	4 5/8	117.2	1 15/32	37.1
	213F202200	4 5/8	117.2	2	50.8
213F205700	213F207000	4 5/8	117.2	1 5/8	41.3
	213F207100	4 5/8	117.2	1/8	3.2