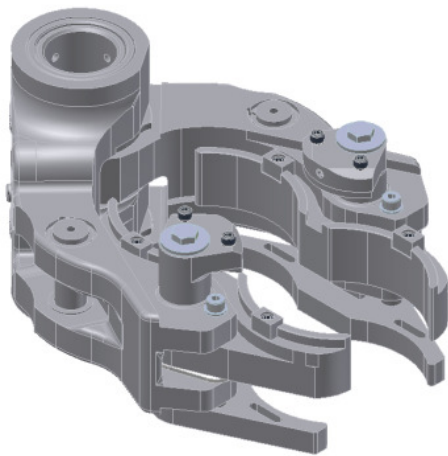


SECTION 4.

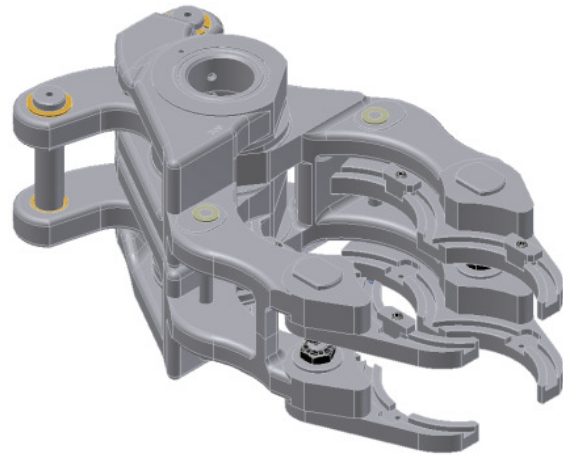
BLANK MOULD HOLDER

BLANK MOULD HOLDER – 5" CD DG

AXIAL & RADIAL MOULD COOLING



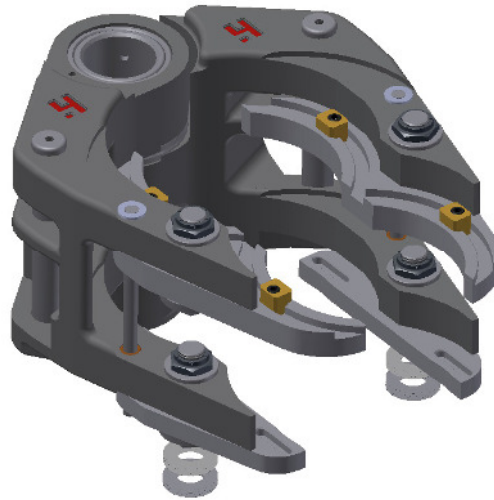
Axial



Radial

Holder No.	Assembly Ident. No.	Cooling		Dimensions			
		Axial	Radial	Ø ["]	Insert Ø [mm]	H ["]	H [mm]
215F205200	2101200070		x	5	129.9	2 5/8	66.7
	2101200071		x	4 5/8	117.2	2 5/8	66.7
	2101200072		x	4 5/8	117.2	2 5/8	66.7
215F205700	2101200080		x	5	129.9	3 5/8	92.1
	2101200086		x	5	129.9	3 5/8	92.1
	2101200097		x	5	129.9	3 5/8	92.1
215F205800	2101200060		x	4 5/8	117.2	5/8	15.875
	2101200061		x	4 5/8	117.2	2	50.8
	2101200062		x	5	129.9	5/8	15.875
	2101200063		x	5	129.9	2	50.8
	2101200069		x	4 5/8	117.2	5/8	15.875
	2101200089		x	4 5/8	117.2	5/8	15.875
215F205900	2101200084		x	5	129.9	4 5/8	117.475
	2101200085		x	5	129.9	4 5/8	117.475
2101429800	2101429400	x		5	124.8	2	51
	2101429700	x		5	124.8	3/4	20

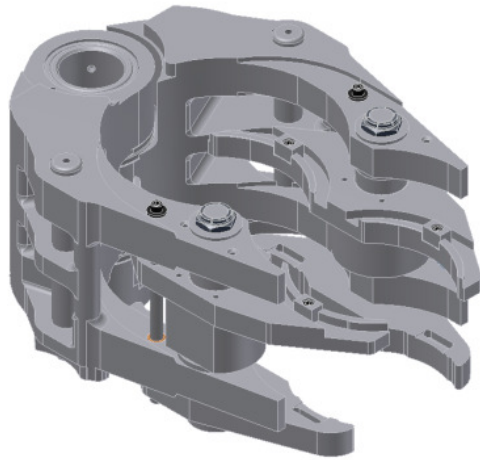
BLANK MOULD HOLDER – 5 1/2” CD DG



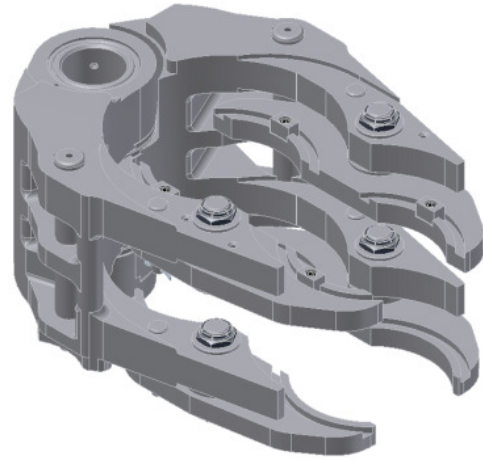
Holder No.	Assembly Ident. No	Ø [“]	Dimensions		
			Insert Ø [mm]	H [“]	H [mm]
	214F200008	6	152.4	4 5/8	117.5
	214F200010	5 3/8	136.7	2 3/4	69.85
	214F200061	5 3/8	136.7	3/8	9.5
	214F200062	5 3/8	136.7	1 1/8	28.55

BLANK MOULD HOLDER – 6 1/4" CD DG

AXIAL & RADIAL MOULD COOLING



Axial

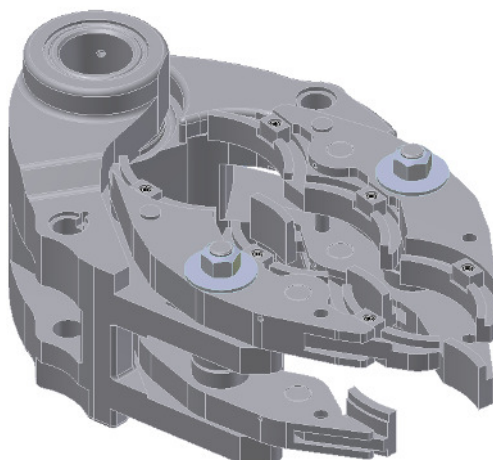


Radial

Holder No.	Assembly Ident. No.	Cooling		Dimensions			
		Axial	Radial	Ø ["]	Insert Ø [mm]	H ["]	H [mm]
213F204200	213F200010		x	4 5/8	117.45	2 5/8	66.7
	213F200013		x	5	130	3 5/8	92.1
	213F200020		x	5	130	5 25/64	136.9
	213F200022		x	5	130	2	50.8
	213F200023		x	5	130	2 5/8	66.7
	213F200024		x	4 5/8	117.2	3 5/8	92.1
	213F200025		x	4 5/8	117.4	2	50.8
	213F200030		x	5	130	4 5/8	117.5
	213F200044	x		5	125	2	51
	213F200045	x		5	125	3/4	20
	213F200076		x	5 1/8	130	2	50,8
	213f200077		x	5 1/8	130	2	50,8
	213F206600	213F200073		x	6	152,4	2 1/8
213F200074			x	6	152,4	5/8	15,9

BLANK MOULD HOLDER – 4 ¼” CD TG

AXIAL & RADIAL MOULD COOLING



Holder No.	Assembly Ident. No.	Dimensions			
		Ø ["]	Insert Ø [mm]	H ["]	H [mm]
213F203900	213F202400	4 5/8	117.2	2 ¼	57.1
	213F202600	4 5/8	117.2	2 ¼	57.1
	213F206000	4 5/8	117.2	1 5/8	41.3
	213F206100	4 5/8	117.2	1/8	3.2
213F205700	213F207000	4 5/8	117,2	1 5/8	41,3
	213F207100	4 5/8	117,2	1/8	3,2
213F204000	213F204500	4 5/8	117,2		97,1