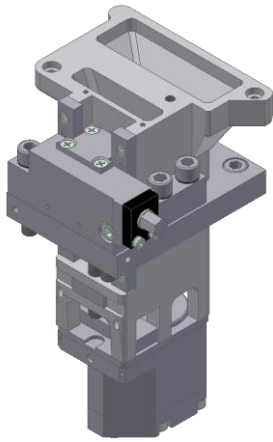


SECTION 2.

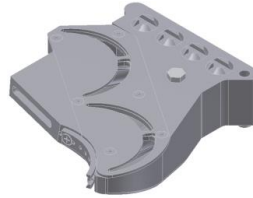
BLANK MOULD COOLING

BLANK MOULD COOLING – 4 1/4“ DG

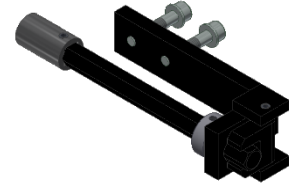
NNPB – AXIAL MOULD COOLING (AC)



Cooling foot



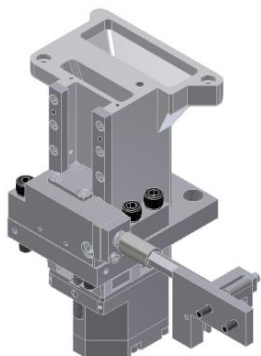
Cooling piece



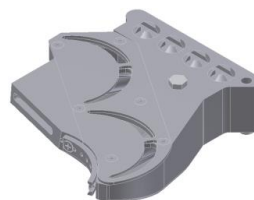
High Adjustment

Description	Part No.
Cooling foot RH	2242102000
Cooling foot LH	2242102100
Cooling piece RH	2242111000
Cooling piece LH	2242111100
High Adjustment	2101428100
Distance Piece for High Adjustment	2101428110

BLANK MOULD COOLING – 5“ DG NNPB – AXIAL MOULD COOLING (AC)



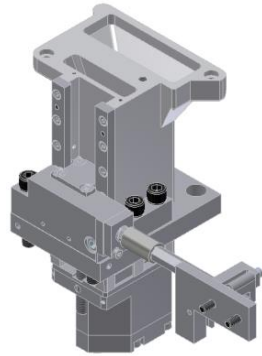
Cooling foot



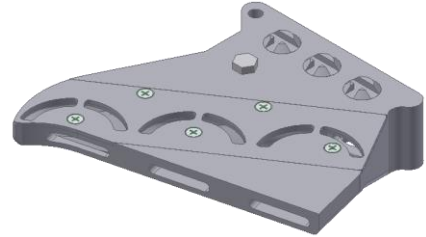
Cooling piece

Description	Part No.
Axial cooling RH cpl. with cooling foot, cooling piece Ø 112 mm	2101429000
Axial cooling LH cpl. with cooling foot, cooling piece Ø 112 mm	2101429100
Cooling foot RH	2242101000
Cooling foot LH	2242101100
Cooling piece RH, Ø 112 mm	2101429500
Cooling piece LH, Ø 112 mm	2101429600
Cooling piece RH, Ø 104 mm	2101428500
Cooling piece LH, Ø 104 mm	2101428600

BLANK MOULD COOLING – 85MM TG NNPB – AXIAL MOULD COOLING (AC)



Cooling foot

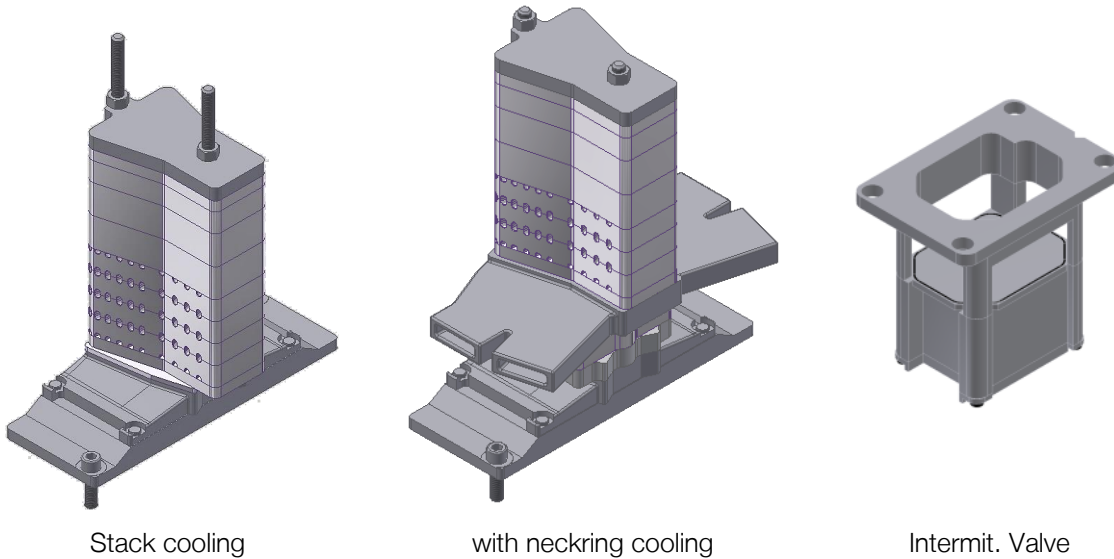


Cooling piece

Description	Part No.
Cooling foot RH	2242101000
Cooling foot LH	2242101100
Cooling piece RH	2101428700
Cooling piece LH	2101428800

BLANK MOULD COOLING – 4 1/4“ DG

BB – STACK COOLING RADIAL – WITH HI-INTERMITTEND VALVE AND NECKRING COOLING



Stack cooling

with neckring cooling

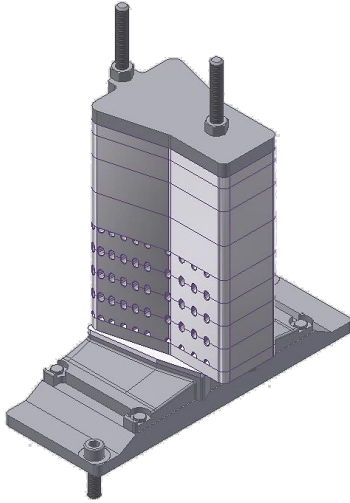
Intermit. Valve

Description	Part No. w/o valve	Part No. with valve
Stack cooling without neckring cooling Middle*	2221031100	2221031400
Stack cooling without neckring cooling RH*	2221031200	2221031500
Stack cooling without neckring cooling LH*	2221031300	2221031600
Stack cooling with neckring cooling Middle	2221012100	2221012400
Stack cooling with neckring cooling RH	2221012200	2221012500
Stack cooling with neckring cooling LH	2221012300	2221012600
Intermit. Valve RH (for separate timing LH / RH)*	215F216100	
Intermit. Valve LH (for separate timing LH / RH)*	215F216000	
Intermit. Valve RH*	2101216100	
Intermit. Valve LH*	2101216000	

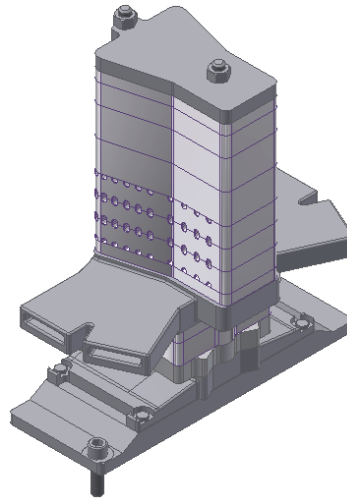
*also usable for 5" DG

BLANK MOULD COOLING – 5“ DG

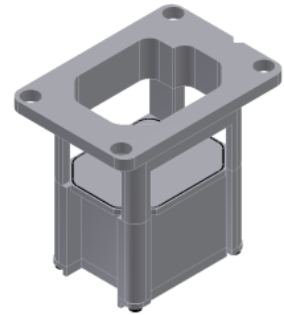
BB – STACK COOLING RADIAL – WITH HI-INTERMITTEND VALVE AND NECKRING COOLING



Stack cooling



with neckring cooling



Intermit. Valve

Description	Part No. w/o valve	Part No. with valve
Stack cooling without neckring cooling Middle*	2221031100	2221031400
Stack cooling without neckring cooling RH*	2221031200	2221031500
Stack cooling without neckring cooling LH*	2221031300	2221031600
Stack cooling with neckring cooling Middle	2221032100	2221032400
Stack cooling with neckring cooling RH	2221032200	2221032500
Stack cooling with neckring cooling LH	2221032300	2221032600
Intermit. Valve RH (for separate timing LH / RH)*	215F216100	
Intermit. Valve LH (for separate timing LH / RH)*	215F216000	
Intermit. Valve RH*	2101216100	
Intermit. Valve LH*	2101216000	

*also usable for 4 1/4" DG

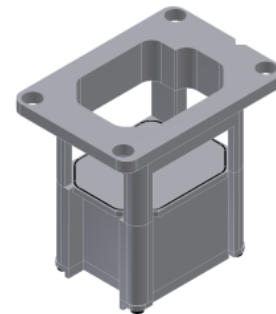
BLANK MOULD COOLING – 85MM TG

BB – STACK COOLING RADIAL – WITH HI-INTERMITTEND VALVE AND NECKRING COOLING



Stack cooling

with neckring cooling



Intermit. Valve

Description	Part No. w/o valve	Part No. with valve
Stack cooling without neckring cooling Middle*		
Stack cooling without neckring cooling RH*		
Stack cooling without neckring cooling LH*		
Stack cooling with neckring cooling Middle	2221091000	
Stack cooling with neckring cooling RH	2221091100	
Stack cooling with neckring cooling LH	2221091200	
Intermit. Valve RH (for separate timing LH / RH)*	215F216100	
Intermit. Valve LH (for separate timing LH / RH)*	215F216000	
Intermit. Valve RH*	2101216100	
Intermit. Valve LH*	2101216000	

BLANK MOULD COOLING – 5“ DG – HIFLOW

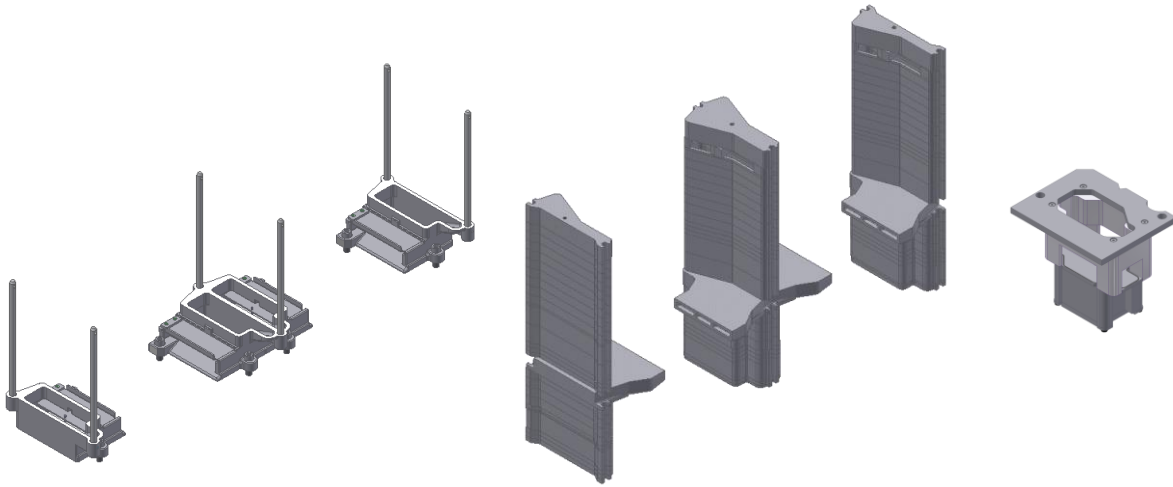
PB – HIFLOW DG WITH OR WITHOUT NECK RING COOLING



HIFLOW
Blank mould cooling, center

Description	Part No.
Blank mould cooling, center, with neckring cooling Cpl. cooling set-up incl. valve 2101213100	2221500400
Blank mould cooling RH, with neckring cooling Cpl. cooling set-up incl. valve 2101213100	2221510400
Blank mould cooling LH, with neckring cooling Cpl. cooling set-up incl. valve 2101213100	2221520400
Blank mould cooling, center, w/o neckring cooling Cpl. cooling set-up incl. valve 2101213100	2221500450
Blank mould cooling RH, w/o neckring cooling Cpl. cooling set-up incl. valve 2101213100	2221510450
Blank mould cooling LH, w/o neckring cooling Cpl. cooling set-up incl. valve 2101213100	2221520450

BLANK MOULD COOLING – 5 1/2” DG
BB – STACK COOLING RADIAL – WITH NECKRING COOLING



Wind Nozzle base

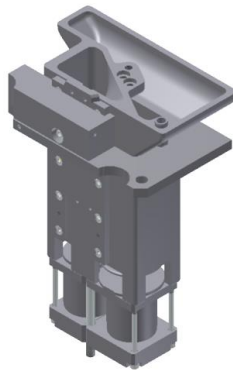
neckring cooling, cooling pieces and spacer

Intermit. Valve

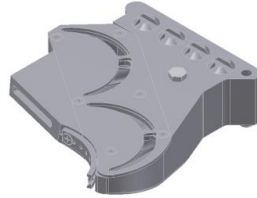
Description	Part No. w/o valve
Wind nozzle base LH, Middle, RH for 6 sections	2106217700
Neckring cooling, cooling pieces and spacer for 6 sections	2106217500
Wind nozzle base LH, Middle, RH for 8 sections	2108217700
Neckring cooling, cooling pieces and spacer for 8 sections	2108217500
Intermit. Valve RH	2101216300
Intermit. Valve LH	2101216400

BLANK MOULD COOLING – 6 ¼“ DG

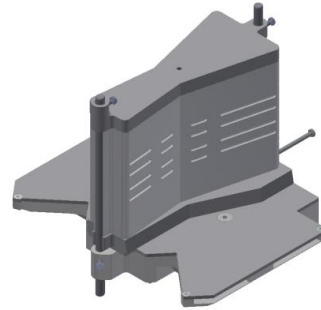
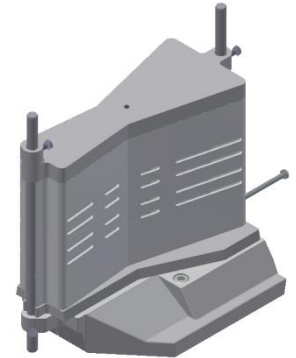
NNPB – AXIAL MOULD COOLING (AC) WITH HEIGHT ADJUSTMENT



AC cooling foot



Cooling piece

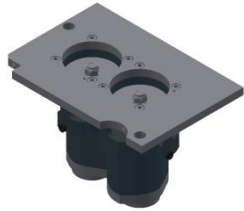
Radial stack cooling with
neckring coolingRadial stack cooling
without neckring cooling

Description	Part No.
AC cooling foot RH	2102428800
AC cooling foot LH	2102428900
AC gear mechanism RH	2102428600
AC gear mechanism LH	2102428700
Mounting kit for gear height adjustment	2104428000
Cooling piece RH Ø 126 mm	2102421000
Cooling piece LH Ø 126 mm	2102421100
Cooling piece RH Ø 149 mm	2102421200
Cooling piece LH Ø 149 mm	2102421300
Cooling piece RH Ø 112 mm	2102421400
Cooling piece LH Ø 112 mm	2102421500
Cooling piece RH Ø 103.2 mm	2102421600
Cooling piece LH Ø 103.2 mm	2102421700
Cooling piece RH Ø 107 mm	2102429400
Cooling piece LH Ø 107 mm	2102429500
Radial cooling with neckring cooling Middle (cooling piece: 213F218500 & 213F218300)	213F218000
Radial cooling with neckring cooling RH (cooling piece: 213F218500)	213F218100
Radial cooling with neckring cooling LH (cooling piece: 213F218400)	213F218200
Radial cooling without neckring cooling Middle	2221071000
Radial cooling without neckring cooling RH	2221071100
Radial cooling without neckring cooling LH	2221071200

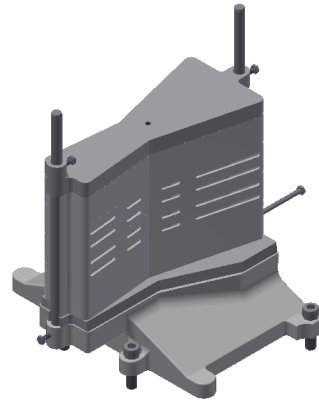
*Air supply (cooling foot) can be used with stack cooling SG, DG & TG.

Notice: Stack Cooling Pieces cannot be used on TG Machine

BLANK MOULD COOLING – 6 ¼“ DG NNPB – RADIAL MOULD COOLING (RC) WITH DOUBLE VALVE



Double valve

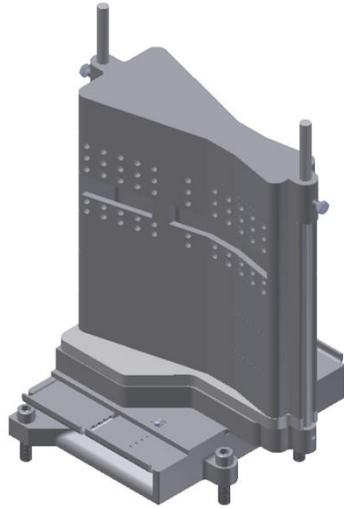


Radial stack cooling

Description	Part No.
Interm. double valve LH	213F212600
Interm. double valve RH	213F212700
Radial stack cooling middle	2221071300
Radial stack cooling RH	2221071400
Radial stack cooling LH	2221071500

*Air supply can be used with stack cooling SG, DG & TG. Stack pieces can be used on blow mould side aswell.

Notice: Stack Cooling Pieces cannot be used on TG Machine

BLANK MOULD COOLING – 6 ¼“ DG**BB – RADIAL MOULD COOLING (RC) WITH DOUBLE VALVE**

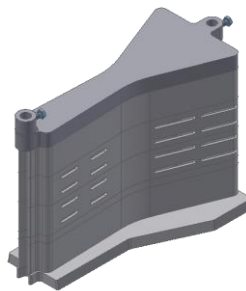
Stack cooling



Double valve

Description	Part No.
Stack Cooling for 6 Sections incl. cooling pieces	2106218000
Stack Cooling for 8 Sections incl. cooling pieces	2108218000
Stack Cooling for 10 Sections incl. cooling pieces	2110218000
Stack Cooling for 12 Sections incl. cooling pieces	2112218000
Adapter Plate Middle	2102420101
Adapter Plate RH/LH	2102420102

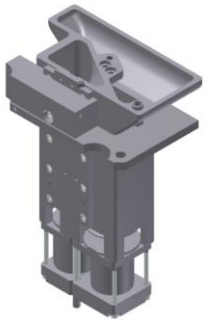
Notice: Stack Cooling Pieces cannot be used on TG Machine (TG Pieces see below)



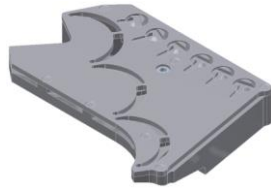
Description	Part No.
Stack Radial cooling conversion parts TG Middle	213F219600
Stack Radial cooling conversion parts TG RH	213F219800
Stack Radial cooling conversion parts TG LH	213F219700

BLANK MOULD COOLING – 4 1/4“ TG

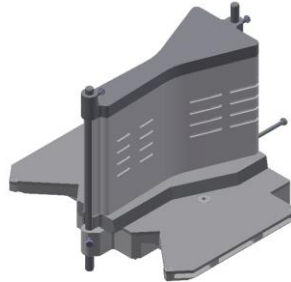
NNPB – AXIAL MOULD COOLING (AC) WITH HEIGHT ADJUSTMENT



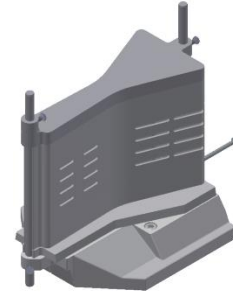
Axial cooling foot



Axial cooling piece



Radial cooling with neckring cooling



Radial cooling without neckring cooling

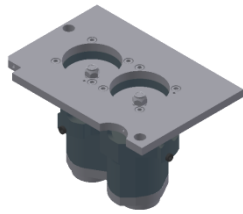
Description	Part No.
Axial cooling foot RH	2102428800
Axial cooling foot LH	2102428900
Axial cooling gear RH	2102428600
Axial cooling gear LH	2102428700
Mounting kit for gear height adjustment	2104428000
Mounting kit for gear height adjustment for use with new box type	2104428100
Cooling piece RH	2104429400
Cooling piece LH	2104429500
Radial cooling with neckring cooling Middle (cooling piece: 213F219500 & 213F219300) **	213F219000
Radial cooling with neckring cooling RH (cooling piece: 213F219500) **	213F219100
Radial cooling with neckring cooling LH (cooling piece: 213F219400) **	213F219200
Radial cooling without neckring cooling Middle **	2221081000
Radial cooling without neckring cooling RH **	2221081100
Radial cooling without neckring cooling LH **	2221081200

*Air supply can be used with stack cooling SG, DG & TG.

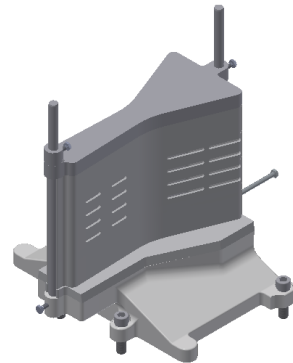
** Notice: Stack Cooling Pieces can be used on DG Machine, neckring cooling cannot used on DG Machine

BLANK MOULD COOLING – 4 ¼“ TG

NNPB – RADIAL MOULD COOLING (RC) WITH DOUBLE VALVE



Double valve



Radial stack cooling

Description	Part No.
Interm. double valve LH	213F212600
Interm. double valve RH	213F212700
Radial stack cooling middle	2221081300
Radial stack cooling RH	2221081400
Radial stack cooling LH	2221081500

*Air supply can be used with stack cooling SG, DG & TG. Stack pieces can be used on blow mould side aswell.

Notice: Stack Cooling Pieces can be used on DG Machine