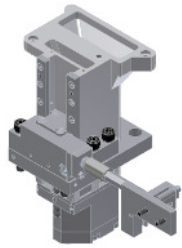


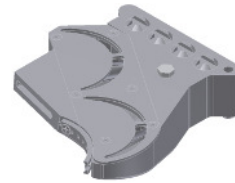
SECTION 2.

BLANK MOULD COOLING

BLANK MOULD COOLING – 5“ DG NNPB – AXIAL MOULD COOLING (AC)



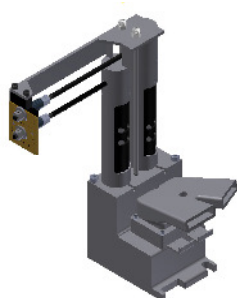
Cooling foot



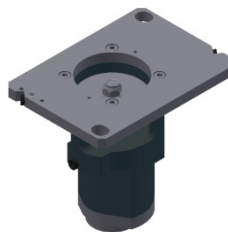
Cooling piece

Description	Part No.
Axial cooling RH cpl. with cooling foot, cooling piece Ø 112 mm	2101429000
Axial cooling LH cpl. with cooling foot, cooling piece Ø 112 mm	2101429100
Cooling foot RH	2242101000
Cooling foot LH	2242101100
Cooling piece RH, Ø 112 mm	2101429500
Cooling piece LH, Ø 112 mm	2101429600
Cooling piece RH, Ø 104 mm	2101428500
Cooling piece LH, Ø 104 mm	2101428600

BLANK MOULD COOLING – 5“ DG NNPB – RADIAL MOULD COOLING (RC)

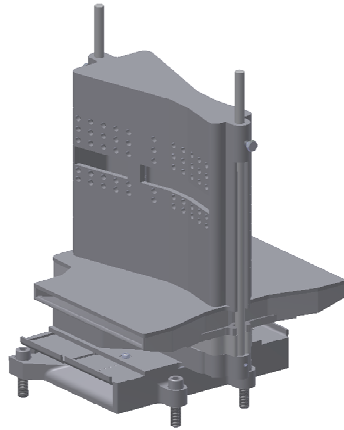


Radial cooling RH

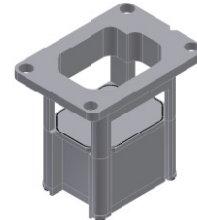


Intermittent valve (25/2600)

Description	Part No.
Blank mould cooling, center	215F212200
Blank mould cooling RH	215F212300
Blank mould cooling LH	215F212400
Intermittent valve RH for blank mould radial cooling	2101212600
Intermittent valve LH for blank mould radial cooling	2101212500

BLANK MOULD COOLING – 5" DG**BB – STACK COOLING RADIAL – WITH HI-INTERMITTEND VALVE AND NECKRING COOLING**

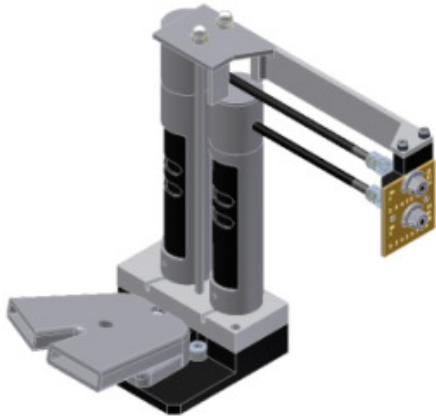
Stack cooling



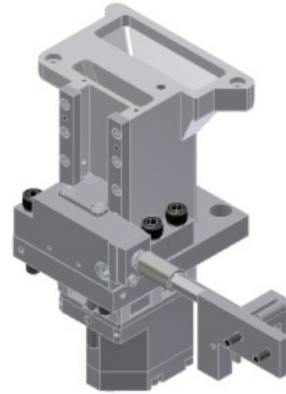
Intermit. Valve

Description	Part No.
Stack cooling without neckring cooling (10 Sect.)	2110217000
Stack cooling with neckring cooling (10 Sect.)	2110217200
Intermit. Valve RH	2101216100
Intermit. Valve LH	2101216000

BLANK MOULD COOLING – 5“ DG NNPB – RADIAL COOLING ON AXIAL COOLING FOOT



Radial cooling LH



Axial cooling foot

Description	Part No.
Blank mould cooling RH	215F212600
Blank mould cooling LH	215F212500
Blank mould cooling RH wide necked	215F213000
Blank mould cooling LH wide necked	215F212900
Adapter plate center	2101420106
Adapter plate RH and LH	2101420107

BLANK MOULD COOLING – 5" DG

PB – HIFLOW DG WITH OR WITHOUT NECK RING COOLING

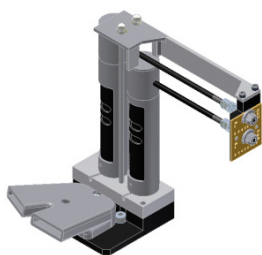


HIFLOW
Blank mould cooling, center

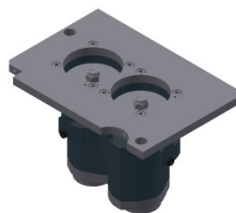
Description	Part No.
Blank mould cooling, center, with neckring cooling Cpl. cooling set-up incl. valve 2101213100	2221500400
Blank mould cooling RH, with neckring cooling Cpl. cooling set-up incl. valve 2101213100	2221510400
Blank mould cooling LH, with neckring cooling Cpl. cooling set-up incl. valve 2101213100	2221520400
Blank mould cooling, center, w/o neckring cooling Cpl. cooling set-up incl. valve 2101213100	2221500450
Blank mould cooling RH, w/o neckring cooling Cpl. cooling set-up incl. valve 2101213100	2221510450
Blank mould cooling LH, w/o neckring cooling Cpl. cooling set-up incl. valve 2101213100	2221520450

BLANK MOULD COOLING – 5 1/2“ DG

NNPB – RADIAL MOULD COOLING (RC) WITH DOUBLE VALVE



Radial cooling LH



Double valve

Description	Part No.
Blank mould cooling center	214F210100
Blank mould cooling RH	214F210200
Blank mould cooling LH	214F210300
Intermitt. double valve RH	213F212700
Intermitt. double valve LH	213F212600

BLANK MOULD COOLING – 5 1/2“ DG

PB – HIFLOW DG WITH / W/O NECKRING COOLING



HiFLOW
Blank mould cooling
with Neckring Cooling

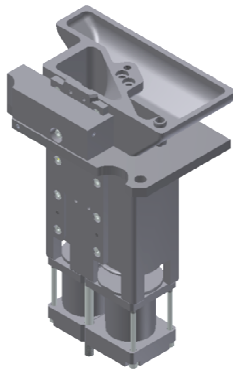


HiFLOW
Blank mould cooling
without Neckring Cooling

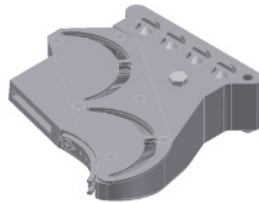
Description	Part No.
HiFLOW center with neckring cooling cpl. cooling set-up incl. double valve 2101213100	2221600200
HiFLOW RH with neckring cooling cpl. cooling set-up incl. double valve 2101213100	2221610200
HiFLOW LH with neckring cooling cpl. cooling set-up incl. double valve 2101213100	2221620200
HiFLOW center w/o neckring cooling cpl. cooling set-up incl. double valve 2101213100	2221600300
HiFLOW RH w/o neckring cooling cpl. cooling set-up incl. double valve 2101213100	2221610300
HiFLOW LH w/o neckring cooling cpl. cooling set-up incl. double valve 2101213100	2221620300

BLANK MOULD COOLING – 6 1/4“ DG

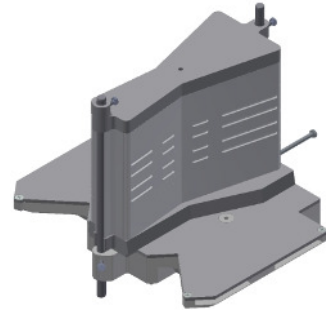
NNPB – AXIAL MOULD COOLING (AC) WITH HEIGHT ADJUSTMENT



AC cooling foot



Cooling piece



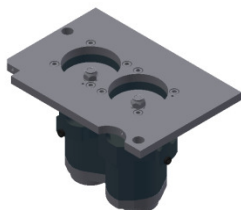
Radial stack cooling with neckring cooling

Description	Part No.
AC cooling foot RH	2102428800
AC cooling foot LH	2102428900
AC gear mechanism RH	2102428600
AK gear mechanism LH	2102428700
Mounting kit for gear height adjustment	2104428000
Cooling piece RH Ø 126 mm	2102421000
Cooling piece LH Ø 126 mm	2102421100
Cooling piece RH Ø 149 mm	2102421200
Cooling piece LH Ø 149 mm	2102421300
Cooling piece RH Ø 112 mm	2102421400
Cooling piece LH Ø 112 mm	2102421500
Cooling piece RH Ø 103.2 mm	2102421600
Cooling piece LH Ø 103.2 mm	2102421700
Cooling piece RH Ø 107 mm	2102429400
Cooling piece LH Ø 107 mm	2102429500
Radial cooling with neckring cooling Middle (cooling piece: 213F218500 & 213F218300)	213F218000
Radial cooling with neckring cooling RH (cooling piece: 213F218500)	213F218100
Radial cooling with neckring cooling LH (cooling piece: 213F218400)	213F218200

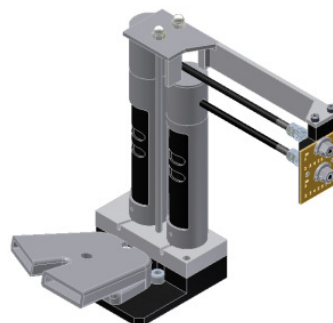
*Air supply can be used with stack cooling SG, DG & TG.

BLANK MOULD COOLING – 6 ¼“ DG

NNPB – RADIAL MOULD COOLING (RC) WITH DOUBLE VALVE



Double valve



Blank mould cooling

Description	Part No.
Interm. double valve LH	213F212600
Interm. double valve RH	213F212700
Blank mould cooling middle	213F210100
Blank mould cooling RH	213F210200
Blank mould cooling LH	213F210300

*Air supply can be used with stack cooling SG, DG & TG. Stack pieces can be used on blow mould side aswell.

BLANK MOULD COOLING – 6 ¼“ DG
PB – HIFLOW DG INCL. NECKRING COOLING

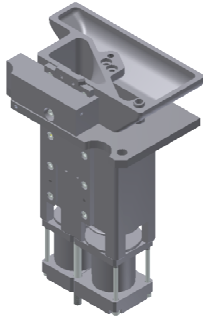


Hi FLOW
 Blank mould cooling
 with Neckring Cooling

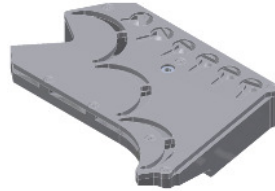


Hi FLOW
 Blank mould cooling
 without Neckring Cooling

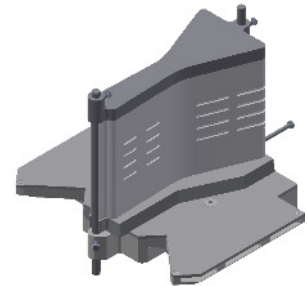
Description	Part No.
Hi FLOW center with neckring cooling complete incl. double valve 2101213100	2221400300
Hi FLOW RH with neckring cooling complete incl. double valve 2101213100	2221410300
Hi FLOW LH with neckring cooling complete incl. double valve 2101213100	2221420300
Hi FLOW center w/o neckring cooling complete incl. double valve 2101213100	2221400600
Hi FLOW RH w/o neckring cooling complete incl. double valve 2101213100	2221410600
Hi FLOW LH w/o neckring cooling complete incl. double valve 2101213100	2221420600

BLANK MOULD COOLING – 4 1/4“ TG**NNPB – AXIAL MOULD COOLING (AC) WITH HEIGHT ADJUSTMENT**

Axial cooling foot



Axial cooling piece



Radial cooling with neckring cooling

Description	Part No.
Axial cooling foot RH	2102428800
Axial cooling foot LH	2102428900
Axial cooling gear RH	2102428600
Axial cooling gear LH	2102428700
Mounting kit for gear height adjustment	2104428000
Mounting kit for gear height adjustment for use with new box type	2104428100
Cooling piece RH	2104429400
Cooling piece LH	2104429500
Radial cooling with neckring cooling Middle (cooling piece: 213F21)	213F219000
Radial cooling with neckring cooling RH (cooling piece: 213F21)	213F219100
Radial cooling with neckring cooling LH (cooling piece: 213F21)	213F219200

*Air supply can be used with stack cooling SG, DG & TG.

**BLANK MOULD COOLING – 4 ¼“ TG
PB – HIFLOW TG WITH NECKRING COOLING**



HiFLOW

Blank mould cooling
with Neckring Cooling



HiFLOW

Blank mould cooling
without Neckring Cooling

Description	Part No.
Hi FLOW center with neckring cooling cpl. cooling set-up incl. double valve 2101213100	2221300400
Hi FLOW RH with neckring cooling cpl. cooling set-up incl. double valve 2101213100	2221310400
Hi FLOW LH with neckring cooling cpl. cooling set-up incl. double valve 2101213100	2221320400
Hi FLOW center w/o neckring cooling cpl. cooling set-up incl. double valve 2101213100	2221300700
Hi FLOW RH w/o neckring cooling cpl. cooling set-up incl. double valve 2101213100	2221310700
Hi FLOW LH w/o neckring cooling cpl. cooling set-up incl. double valve 2101213100	2221320700