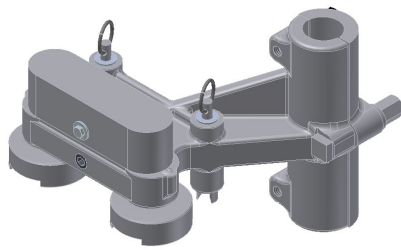


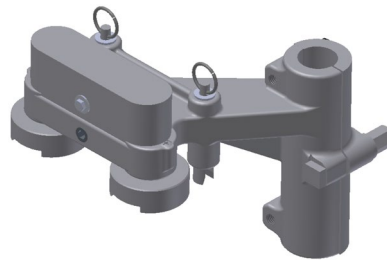
SECTION 8.

# BAFFLE HOLDER

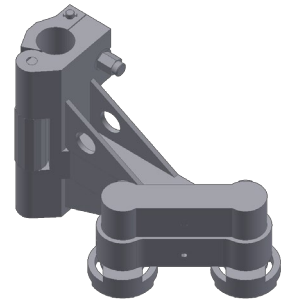
## BAFFLE HOLDER – PISTON ROD



215F090100



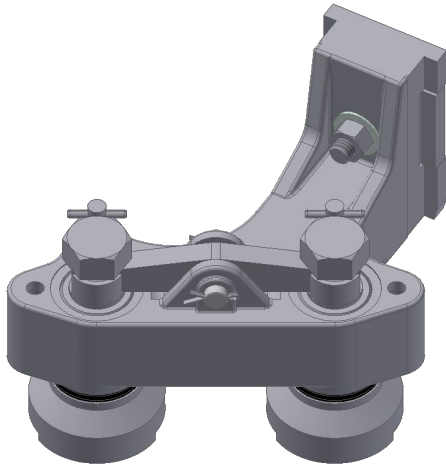
215F091100



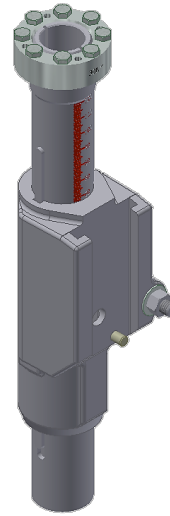
Hinge Type

Machine type	Limits ( $\theta$ mould – upperside baffle)	Piston Rod- $\emptyset$	Part No.
4 ¼" SG		1 ½" - 38,1mm	-
4 ¼" DG		1 ½" - 38,1mm	2209143100
5" DG	min. 136,5mm (5,375") – max. 254mm (10")	1 ½" - 38,1mm	215F091100
	min. 76,9mm (3") – max. 204,5mm (8")		215F090100
4 ¼" DG	Hinge Type – min. 5,8mm (1/4") – max. 193mm (7 3/8")	1 ½" - 38,1mm	212F091000
5" DG	Hinge Type – min. 5,8mm (1/4") – max. 193mm (7 3/8")	1 ½" - 38,1mm	215F090800
5 ½" DG	Hinge Type – min. 5,8mm (1/4") – max. 193mm (7 3/8")	1 ¾" - 44,45mm	214F091200
6 ¼" DG	Hinge Type – min. 5,8mm (1/4") – max. 193mm (7 3/8")	1 ¾" - 44,45mm	213F090800

## BAFFLE HOLDER – QUICK CHANGE



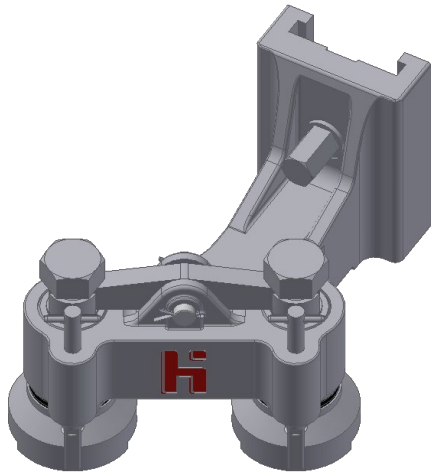
Baffle Holder QC



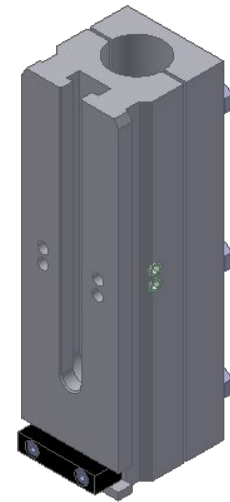
Mounting Kit

Machine type	Part No.	Mounting Kit
5" DG	215F095000	215F095100 for Ø 38,1
5 ½" DG	214F09*	213F094100 for Ø 44,45
6 ¼" DG	213F090400	213F094100 for Ø 44,45
4 ¼" TG	TEC30197952	

## BAFFLE HOLDER – QUICK CHANGE WITH GROOVE STONE



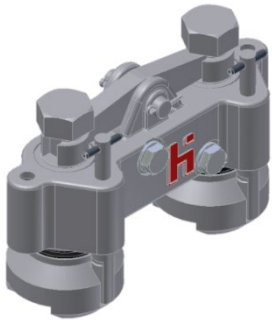
Baffle Holder QC



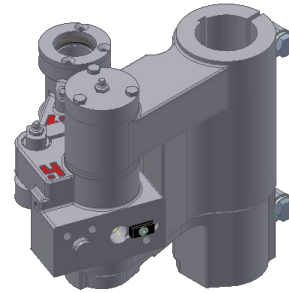
Mounting Kit

Machine type	Part No.	Mounting Kit
4 1/4" SG	2209551000 – Cast Type	2209559000 for Ø 38,1
	2209551400 – welded Type	2209559000 for Ø 38,1
4 1/4" DG	2209552000 – Cast Type	2209559000 for Ø 38,1
5" DG	2209553000 – Cast Type	2209559000 for Ø 38,1
	2209553100 – Aluminum Type	
5 1/2" SG	2209551200 – Cast Type	2209559100 for Ø 44,45
5 1/2" DG	2209554000 – Cast Type	2209559100 for Ø 44,45
6 1/4" SG	2209551100 – Cast Type	2209559100 for Ø 44,45
6 1/4" DG	2209555000 – Cast Type	2209559100 for Ø 44,45

## BAFFLE HOLDER FOR PANTOGRAPH ON 5"-MACHINE



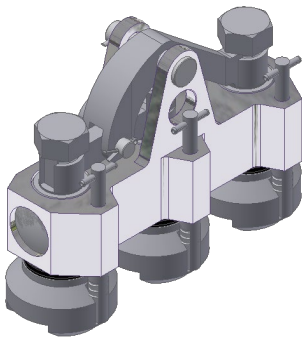
DG



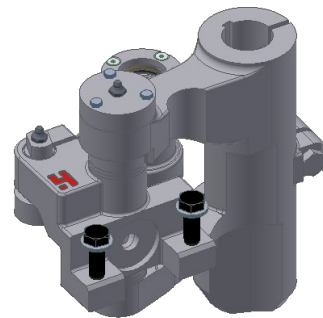
Pantograph Arm Assembly

Machine type	Part No.
5" DG	215F092200
Pantograph Arm Assembly	215F092300
Mounting Parts	215F092700
Guide Rod	215F092702

## BAFFLE HOLDER FOR PANTOGRAPH ON 5"-MACHINE X-Y ADJUSTABLE



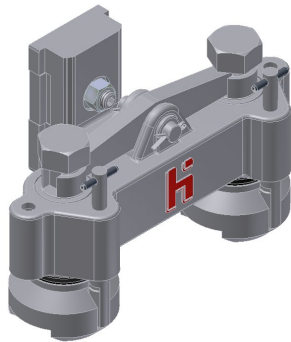
TG



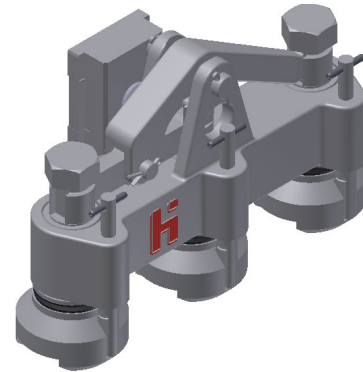
Pantograph Arm Assembly

Machine type	Part No.
4 1/4" DG	215F093***
5" DG	215F093400
85mm TG	215F093300
Pantograph Arm Assembly	215F093200
Guide Rod	2209141910

## BAFFLE HOLDER FOR PANTOGRAPH ON 6 1/4"-MACHINE

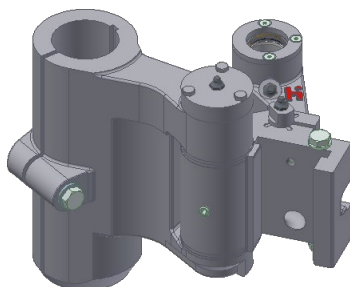


DG

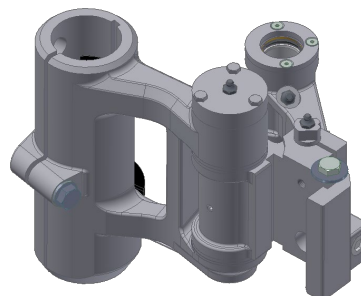


TG

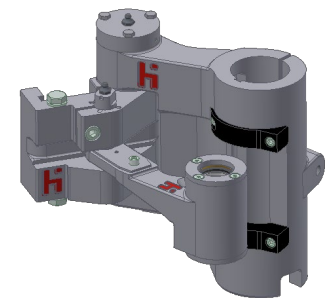
Machine type	Part No.
5 1/2" SG	211F090300
6 1/4" SG	211F090200
5 1/2" DG	214F091800
6 1/4" DG	213F093700
4 1/4" TG	213F093800
for small Moulds (lower Limits)	213F094300



Pantograph Arm Assembly  
Standard



Pantograph Arm Assembly  
Weight reduced



Pantograph Arm Assembly  
for lower limits

Type	Part No.
Standard	213F093400
Weight reduced	213F094800
For lower Limits	21VN093400
Mounting Parts	2209141500
Guide Rod	2209141900