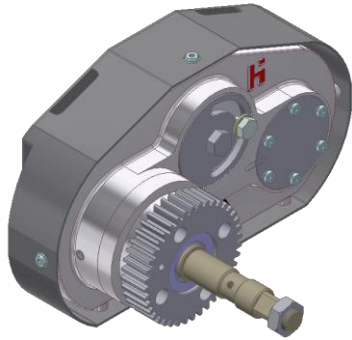


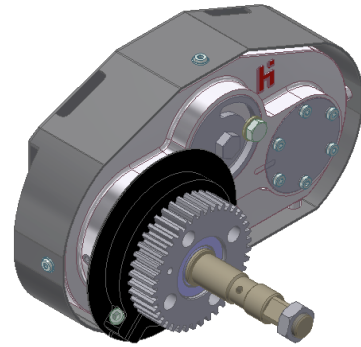
SECTION 11.

TAKE OUT ARM

TAKEOUT - ARM FOR PNEUMATIC & SERVO MECHANISM



Take out arm pneumatic



Take out arm servo

Machine type	Description	Pneumatic Part No.	Servo Part No.
4 1/4" SG & DG	Take out tong arm	2213200007	2213200008
5" SG & DG 85mm TG	Take out tong arm	2213200003	2213200005
5 1/2" SG & DG 6 1/4" SG & DG 4 1/4" TG	Take out tong arm	2213200004	2213200006