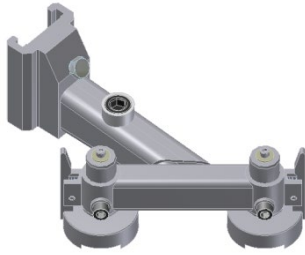


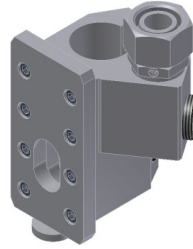
SECTION 10.

BLOW HEAD HOLDER

BLOW HEAD HOLDER – QC - W/O FINISH COOLING



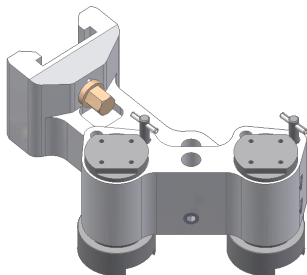
Blow Head Holder
without Finish Cooling



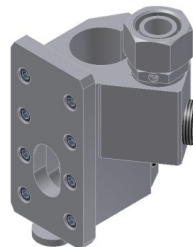
Mounting Kit

Machine type	Blow Head Holder Part No.	Mounting Kit Ø 50 Part No.	Mounting Kit Part No. Ø 38,1 / 44,45
5" DG	2212100002	2212141500	2212101600
5 ½" DG	2212100007	2212141400	2212101900
6 ¼" DG	2212100008	2212141400	2212101900
4 ¼" TG	2212100100	2212141400	2212101900

BLOW HEAD HOLDER – QC - ALU TYPE



Blow Head Holder
"Alu"-Type



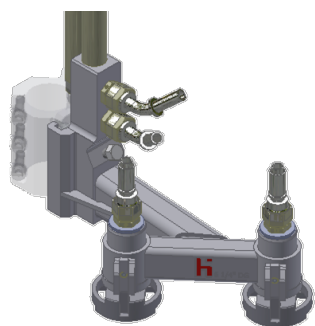
Mounting Kit

Machine type	Air distributor	Mounting Kit Ø 50 Piston Rod	Blow Head Holder Part No.
5" DG	Yes	2212141700	215F126000-Alu
5 ½" DG	Yes	2212141600	214F128000-Alu
6 ¼" DG	Yes	2212141600	213F128700-Alu
4 ¼" TG	Yes	2212141600	213F128100-Alu

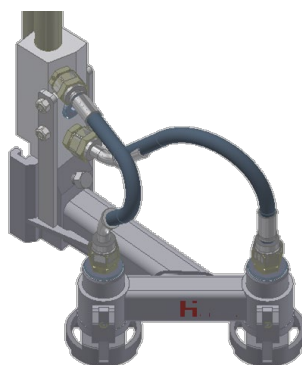
Mounting Kit Heye Type 5" for 38,1mm Piston Rod: 2212101600

Mounting Kit Heye Type 6 ¼" for 44,45mm Piston Rod: 2212101900

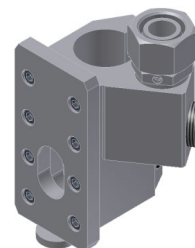
BLOW HEAD HOLDER - QC – WITH AIR DISTRIBUTOR



Blow Head Holder
Included air distributor



Blow Head Holder
external air distributor**



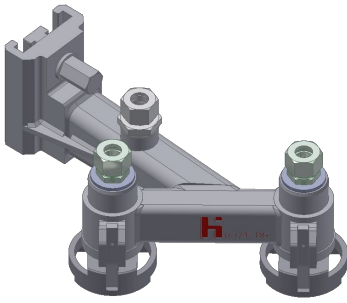
Mounting Kit

Machine type	Air distributor	Ø Piston Rod	Blow Head Holder Part No.	Mounting Kit Part No.
4 ¼" SG	-	50mm	2212558700	2212141400
4 ¼" DG	included	50mm	2212558100	2212141500
5" DG	included	50mm	2212558200	2212141500
85mm TG	included	50mm	2212558800	2212141500
5 ½" SG	-	50mm	2212558900	2212141400
5 ½" DG	included	50mm	2212558400	2212141400
6 ¼" SG	-	50mm	2212559000	2212141400
6 ¼" DG	external**	50mm	2212559100**	2212141400
	included	50mm	2212559300	2212141400
4 ¼" TG	external**	50mm	2212559200**	2212141400
	included	50mm	2212559400	2212141400

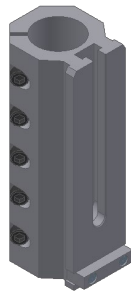
Mounting Kit Heye Type 5" for 38,1mm Piston Rod: 2212101600

Mounting Kit Heye Type 6 ¼" for 44,45mm Piston Rod: 2212101900

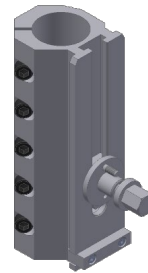
BLOW HEAD HOLDER - QC – HEIGHT ADJUSTABLE



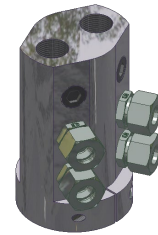
Blow Head Holder



Mounting Kit



Mounting Kit for
Emhart Blow Head
Holder 5":
215F126100



Air distributor

Machine type	Ø Piston Rod	Finish Cooling in Blow head With spring plate	Finish Cooling on Blow Head Arm Without spring plate	Mounting Kit Part No.
4 ¼" SG	50mm	21AN129200	21AN127000	21AN128300
4 ¼" DG	50mm	21AN129000	21AN127100	21AN128800
5" DG	50mm	21AN128700	21AN127300	21AN128800
85mm TG	50mm	21AN129100	21AN127400	21AN128800
5 ½" SG	50mm	-	-	21AN128300
5 ½" DG	50mm	21AN128400	21AN129800	21AN128300
6 ¼" SG	50mm	21AN129300	21AN127600	21AN128300
6 ¼" DG	50mm	21AN128500	21AN129600	21AN128300
4 ¼" TG	50mm	21AN128600	21AN129700	21AN128300

Machine type	Ø Piston Rod	Air distributor	Hose size Final blow / Neckring cooling	Hose connection Kit Part No.
DG	50mm	21AN128900	DN16 / DN16	**2x FB / 2x NC
	50mm	21AN129500	DN16 / DN16	**3x FB
TG	50mm	21AN128100	DN16 / DN16	**3x FB / 3x NC
		21AN128200	DN16 / DN6	21MA128100

**Flexible Hose for Neckring Cooling: 9120018185 / Final Blow: 9120018184.