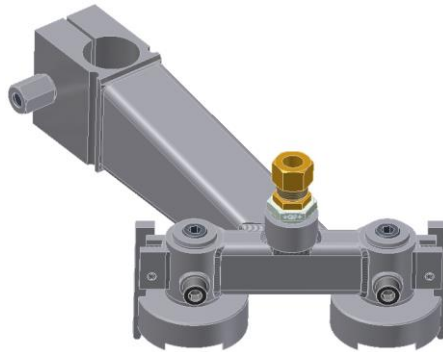


SECTION 10.

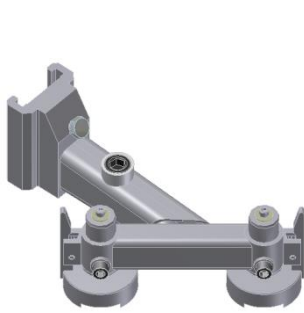
BLOW HEAD HOLDER

BLOW HEAD HOLDER

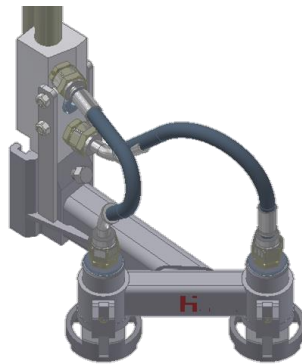


Machine type	Description	Ø Piston Rod	Part No.
5"DG	Light Weight Holder	38.1mm	215F120800
5 ½" DG Hinge Type Steel		50mm	214F121300
6 ¼" DG Hinge Type Steel		50mm	213F128600
4 ¼" DG Hinge Type		38.1mm	212F121000

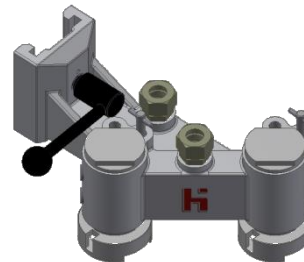
BLOW HEAD HOLDER - QUICK CHANGE



Blow Head Holder
without Finish Cooling



Blow Head Holder
with air distributor *****



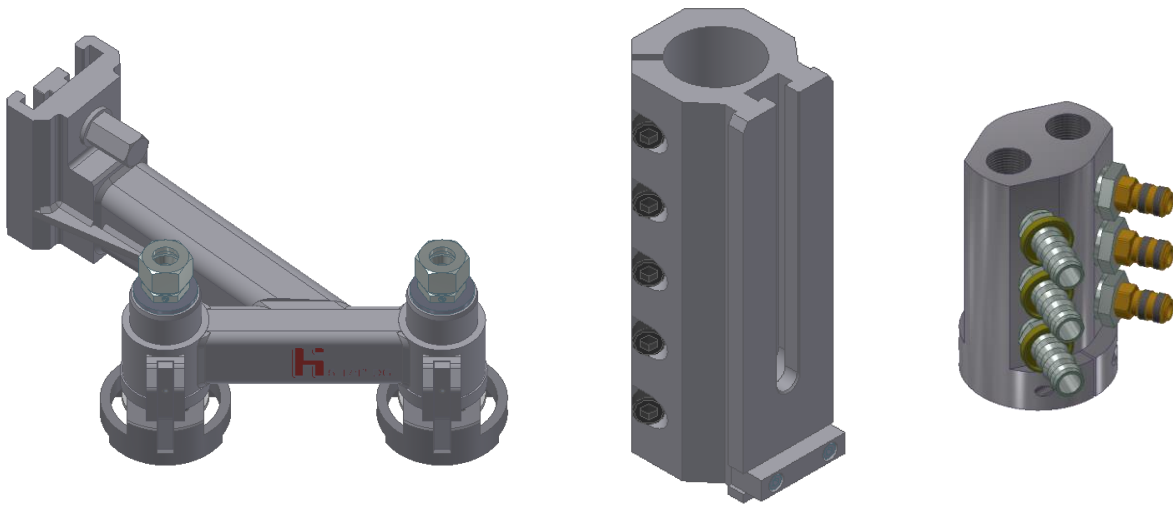
Blow Head Holder
"Alu"-Type



Mounting Kit

Machine type	Finish Cooling	Ø Piston Rod	Blow Head Holder Part No.	Mounting Kit Part No.
4 ¼" SG	Yes	50mm	2212558700	2212141500
4 ¼" DG	Yes	50mm	2212558100	2212141500
5" SG	Yes	50mm	2212558300	2212141500
5" DG	Yes	50mm	2212558200*****	2212141500
	Yes	50mm	215F126000-Alu	2212141700
	No	50mm	2212100002	2212141500
5 ½" SG	Yes	50mm	2212558900	2212141400
5 ½" DG	Yes	50mm	2212558400	2212141400
	No	50mm	2212100007	2212141400
6 ¼" SG	Yes	50mm	2212559000	2212141400
6 ¼" DG	Yes	50mm	2212558500	2212141400
	Yes	50mm	213F128700-Alu	2212141600
	No	50mm	2212100008	2212141400
	Yes	50mm	2212559100*****	2212141400
4 ¼" TG	Yes	50mm	2212558600	2212141400
	Yes	50mm	213F128100-Alu	2212141600
	No	50mm	2212100100	2212141400
	Yes	50mm	2212559200*****	2212141400

BLOW HEAD HOLDER - QUICK CHANGE
(HEIGHT ADJUSTMENT ONLY)



Blow Head Holder

Mounting Kit

Air distributor

Machine type	Finish Cooling	Ø Piston Rod	Blow Head Holder Part No.	Mounting Kit Part No.
5 ½" DG	In Blowhead	50mm	21AN128400	21AN128300
6 ¼" DG	In Blowhead	50mm	21AN128500	21AN128300
4 ¼" TG	In Blowhead	50mm	21AN128600	21AN128300
5" DG	In Blowhead	50mm	21AN128700	21AN128800

Machine type	Air distributor	Ø Piston Rod	Hose size Final blow / Neckring cooling	Hose connection Kit Part No.
DG	21AN128900	50mm	DN16 / DN16	21AN128910
TG	21AN128100	50mm	DN16 / DN16	21AN128000
	21AN128200		DN16 / DN6	21MA128100