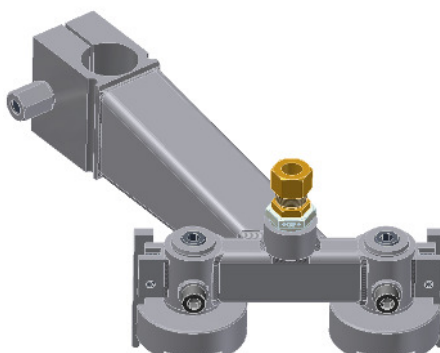


SECTION 10.

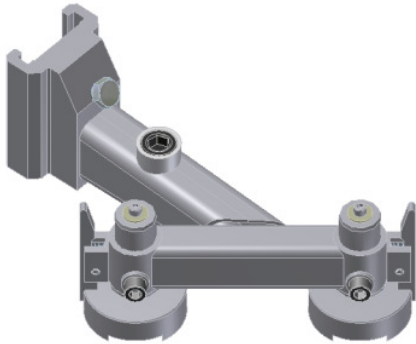
# **BLOW HEAD HOLDER**

## BLOW HEAD HOLDER

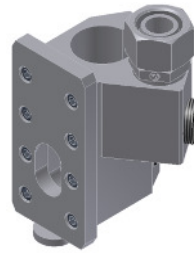


Machine type	Description	Ø Piston Rod	Part No.
5" DG	Light Weight Holder	38.1mm	215F120800
5 1/2" DG Hinge Type Steel		50mm	214F121300
6 1/4" DG Hinge Type Steel		50mm	213F128600
4 1/4" DG Hinge Type		38.1mm	212F121000

## BLOW HEAD HOLDER - QUICK CHANGE



Blow Head Holder



Mounting Kit

Machine type	Finish Cooling	Ø Piston Rod	Blow Head Holder Part No.	Mounting Kit Part No.
4 ¼" SG	Yes	50mm	2212558700	2212141500
4 ¼" DG	Yes	50mm	2212558100	2212141500
5" SG	Yes	50mm	2212558300	2212141500
5" DG	Yes	50mm	2212558200	2212141500
	Yes	50mm	215F126000	2212141700
5 ½" SG	Yes	50mm	2212558900	2212141400
5 ½" DG	Yes	50mm	2212558400	2212141400
6 ¼" SG	Yes	50mm	2212559000	2212141400
6 ¼" DG	Yes	50mm	2212558500	2212141400
	Yes	50mm	213F128700	2212141600
4 ¼" TG	Yes	50mm	2212558600	2212141400
	Yes	50mm	213F128100	2212141600
5" DG	No	50mm	2212100002	2212141500
5 ½" DG	No	50mm	2212100007	2212141400
6 ¼" DG	No	50mm	2212100008	2212141400
4 ¼" TG	No	50mm	2212100100	2212141400