

HiPERFORM

Modular
Valve Block



Efficiency by Modularity

Time is a top priority in modern production processes. // In hollow glass production, the performance of the entire system is determined by the speed of the individual mechanisms within the IS-Machine. Any acceleration in working speed increases the yield accordingly. Every minute the production line is down due to maintenance or repair decreases the productivity of the machine and incurs costs.

Through the high performance of the new Heye International Modular Valve Block, the speed of the system can be increased, downtime reduced and production optimised.

Modular design

If a traditional valve block fails, it would normally have to be dismantled completely. Owing to its complex design, comprising many individual parts, this takes time.

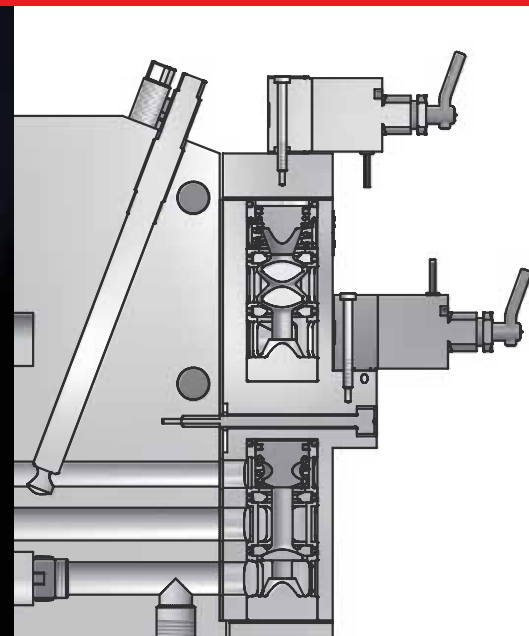
The Heye International Modular Valve Block uses cartridge carriers equipped with two switch cartridges. They are completely pre-assembled, can be stored on-site and are easily accessible and exchangeable, therefore reducing cartridge exchange time from around 30 minutes to only about 4 minutes. These shortened downtimes reduce costs and increase productivity. // The new Modular Valve Block can be fitted universally and is compatible with many standard IS-Machines. A retrofit of existing production lines is possible at any time and can improve the performance of an existing system enormously.

High performance

Flow channels with a complex structure can cause high flow resistance. Resulting turbulence reduces flow volume.

The new Heye International Modular Valve Block is characterised by optimised channel design, enlarged cross sections and a shortened flow path. // Low flow resistance allows a consistently high flow volume. Used in combination with the new Heye International valve cartridge, the pilot control units have a highly consistent switch-point as well as a very good limit pressure ratio, independent of temperature.

The high flow volume makes a faster reaction of individual mechanisms in the machine possible. Mould opening and closing times can be reduced and the production speed of the system increased. Even a linkage with a closing cylinder diameter of 7" can be directly controlled, making the cost-intensive purchase of external valves unnecessary. // The optimised exhaust air regulation system frees the air supply channel from turbulence caused by regulating screws and ball check valves, thus permitting a smooth and uninterrupted motion sequence. Optionally, each of the 22 tracks can be supplied with a separate compressed air supply.



Uncompromising Quality

With ever-increasing numbers of production cycles, the switch cartridges within the valve block are exposed to a much higher degree of wear. Short component lifetimes and frequent cartridge changes necessitate more maintenance and longer machine downtime. Spare part costs and production downtime accordingly result.

The focus of Heye International is quality in all areas. By using only high quality materials in combination with surface finishing (e.g. using hard anodised aluminium), the lifetime of moving parts, such as switch cartridges, is maximised. // Heye International components are subjected to stringent examination, both on the test bench and under production conditions, to prove their durability and longevity before they are launched.

With the precision of CNC-machined parts and its linear design, the new Heye International Modular Valve Block is a top quality, durable and optimally functional component for your IS-Machine.

Special Features

- Modular design for minimum downtime
- High flow volume for improved cavity rates
- Ergonomic design for intuitive handling
- Smooth and easy to clean housing



Enlarged cross sections allow a consistently high flow volume and high working speed.

Ergonomic Design

The demand for quality, cleanliness and safety is constantly increasing. Accordingly, in glass production, quality standards are defined by audits, investigations and certifications.

With its optimised modern design, the Heye International Modular Valve Block is easy to operate and clean. Integral covers protect the valve block from dirt, damage and accidental operation during production. Each pilot control valve, marked with individual function symbols, is designed ergonomically, visible at a glance and easy to operate.



Heye International GmbH
Lohplatz 1
31683 Obernkirchen
Germany

Tel.: +49 5724 26-452
Fax: +49 5724 1288